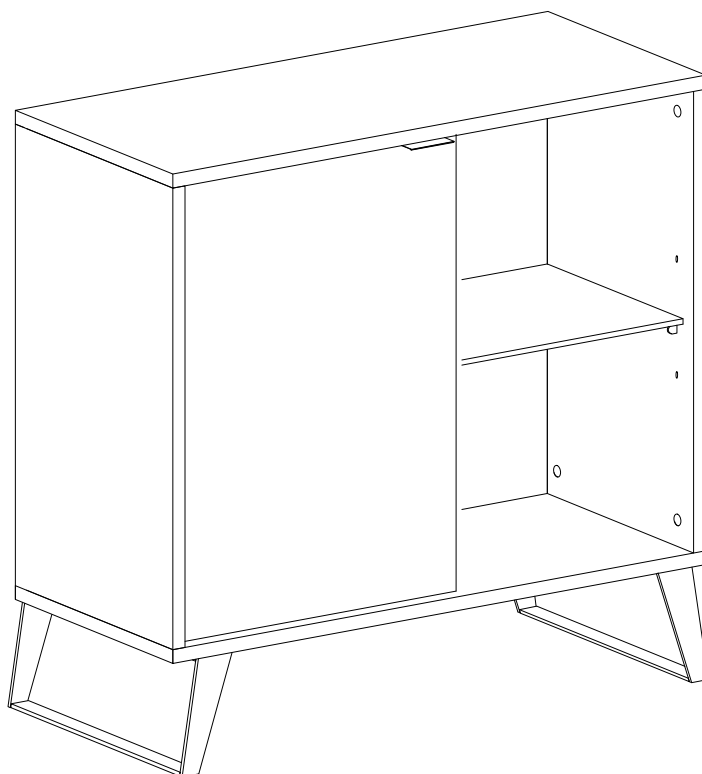




SCAN FOR
VIDEO ASSEMBLY



VCX-G-01



Español

¡ADVERTENCIA!

Lesiones por aplastamiento graves o mortales puede ocurrir por la volcadura de muebles. Para evitar que se vuelque este mueble recomendamos encarecidamente su uso con el(los) dispositivo (s) de fijación a la pared proporcionar.

English

WARNING!

Serious or fatal crushing injuries can occur from furniture tip over. To prevent tip over this furniture we highly recommend to use with the wall attachment device(s) provided.

Dear Valued Customer,

Before embarking on the assembly journey of our meticulously designed furniture piece, we extend a friendly caution to those who might find themselves navigating the assembly instructions like uncharted waters. Consider this your assembly roadmap, but remember, not all who venture forth heed the warnings.

Mind the Details: In the intricate dance of screws, bolts, and mysterious components, attention to detail is your compass. Failure to acknowledge the subtleties may lead to a misstep in the assembly waltz.

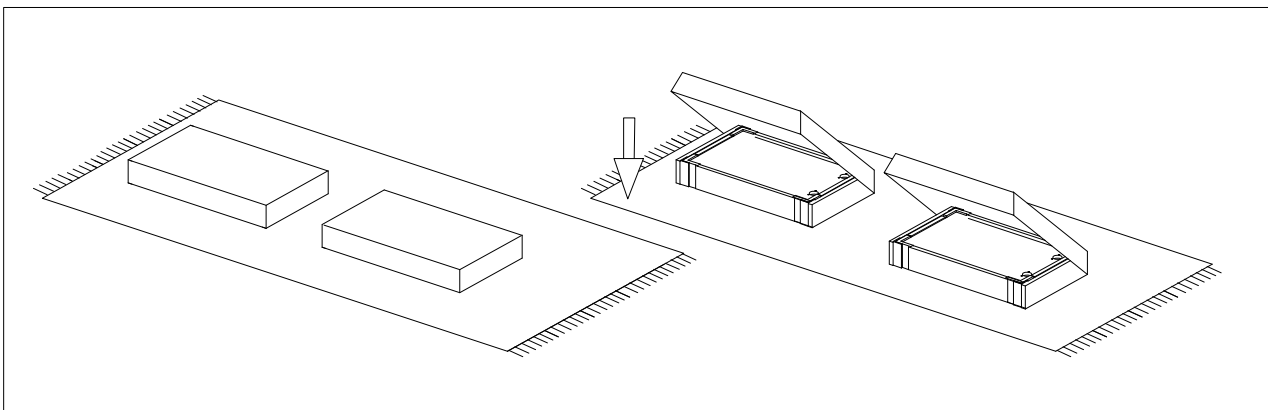
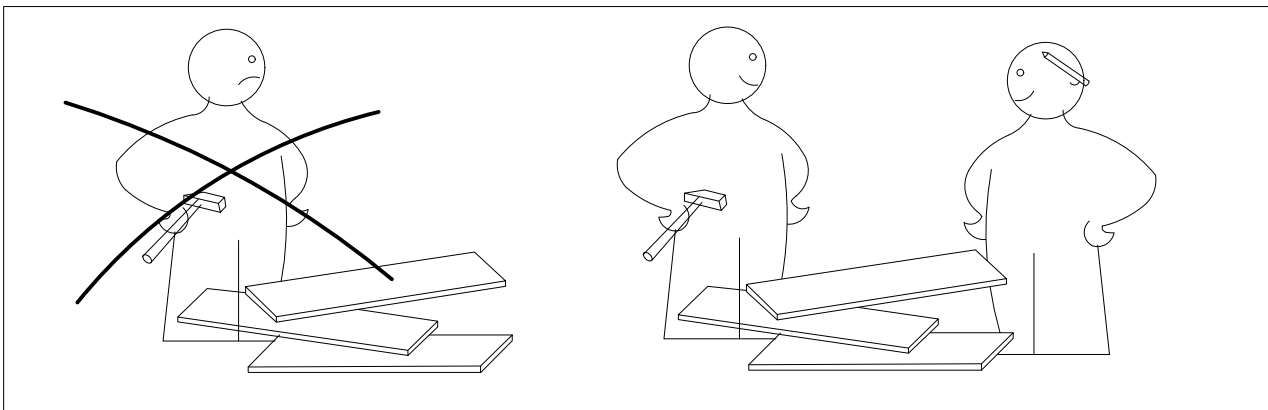
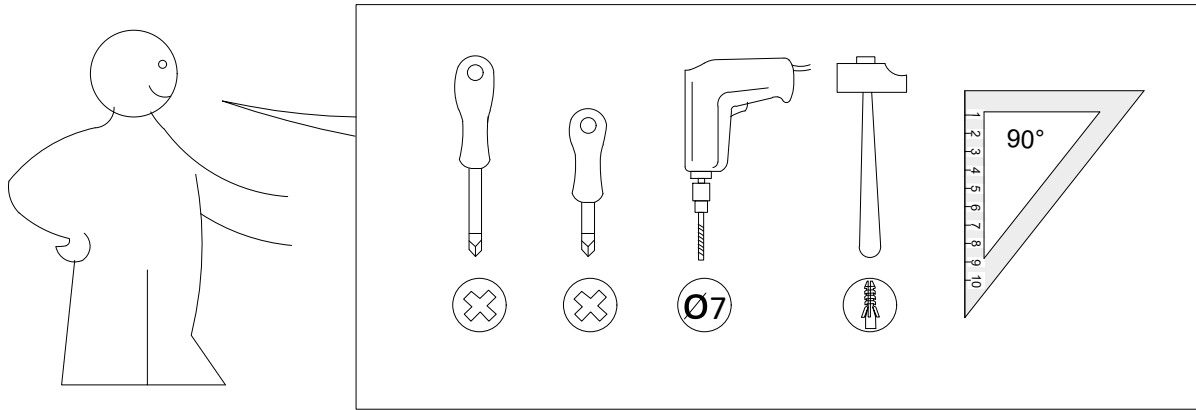
Avoid Solo Sailing: While solo adventures are admirable, assembling our furniture is a team sport. Rally your crew, or at least one reliable sidekick, to ensure a smoother voyage. Two sets of eyes are better than one, especially when deciphering assembly hieroglyphics.

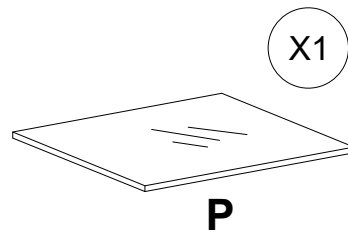
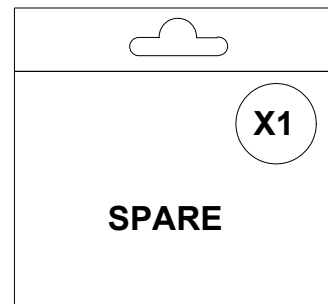
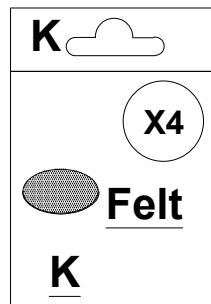
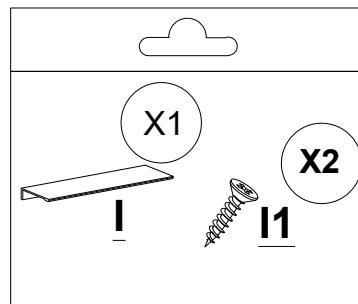
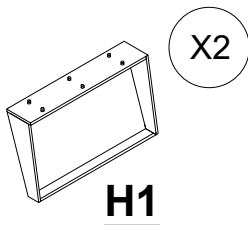
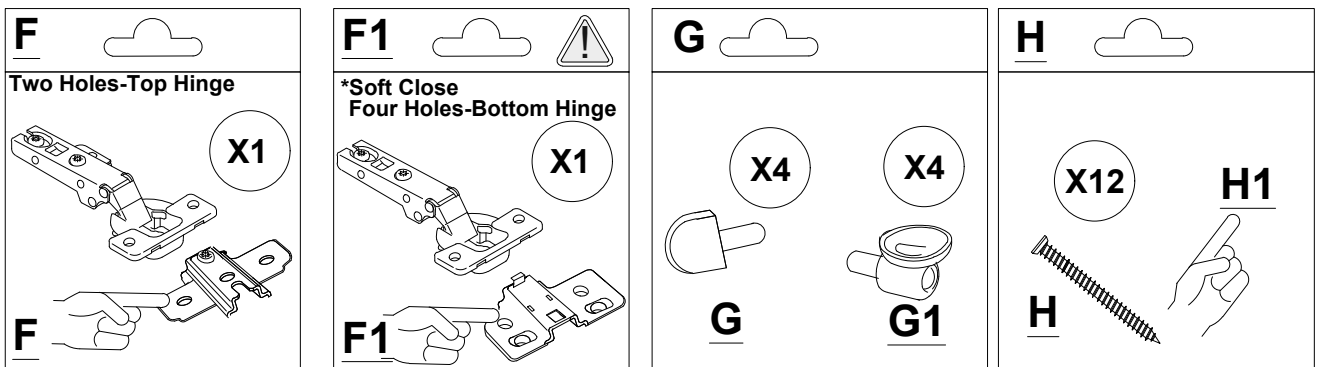
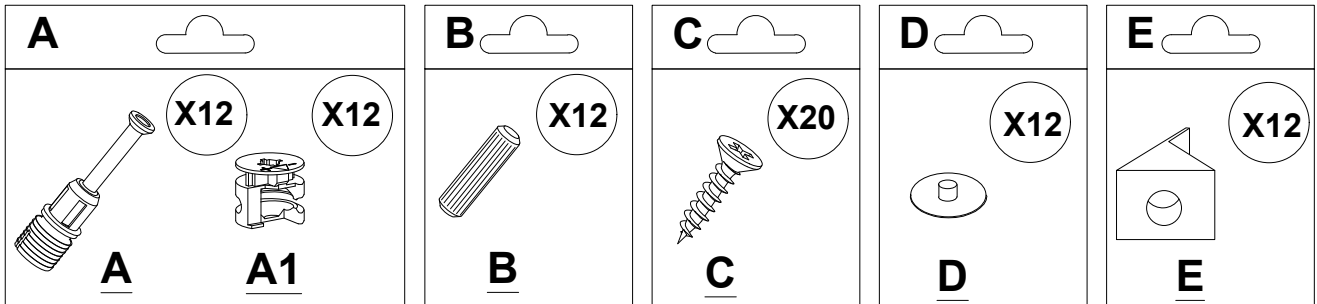
Tools are Your Allies: The toolkit provided isn't just for show. Each tool is a trusty sidekick in your quest for furniture glory. Disregarding their importance may result in frustration and a potential detour to the hardware store.

The Manual is Your Map: The assembly manual is not just a paperweight. It's your treasure map to furniture utopia. Ignoring its guidance may result in the dreaded disassembly-reassembly loop, a journey no one wants to embark upon.

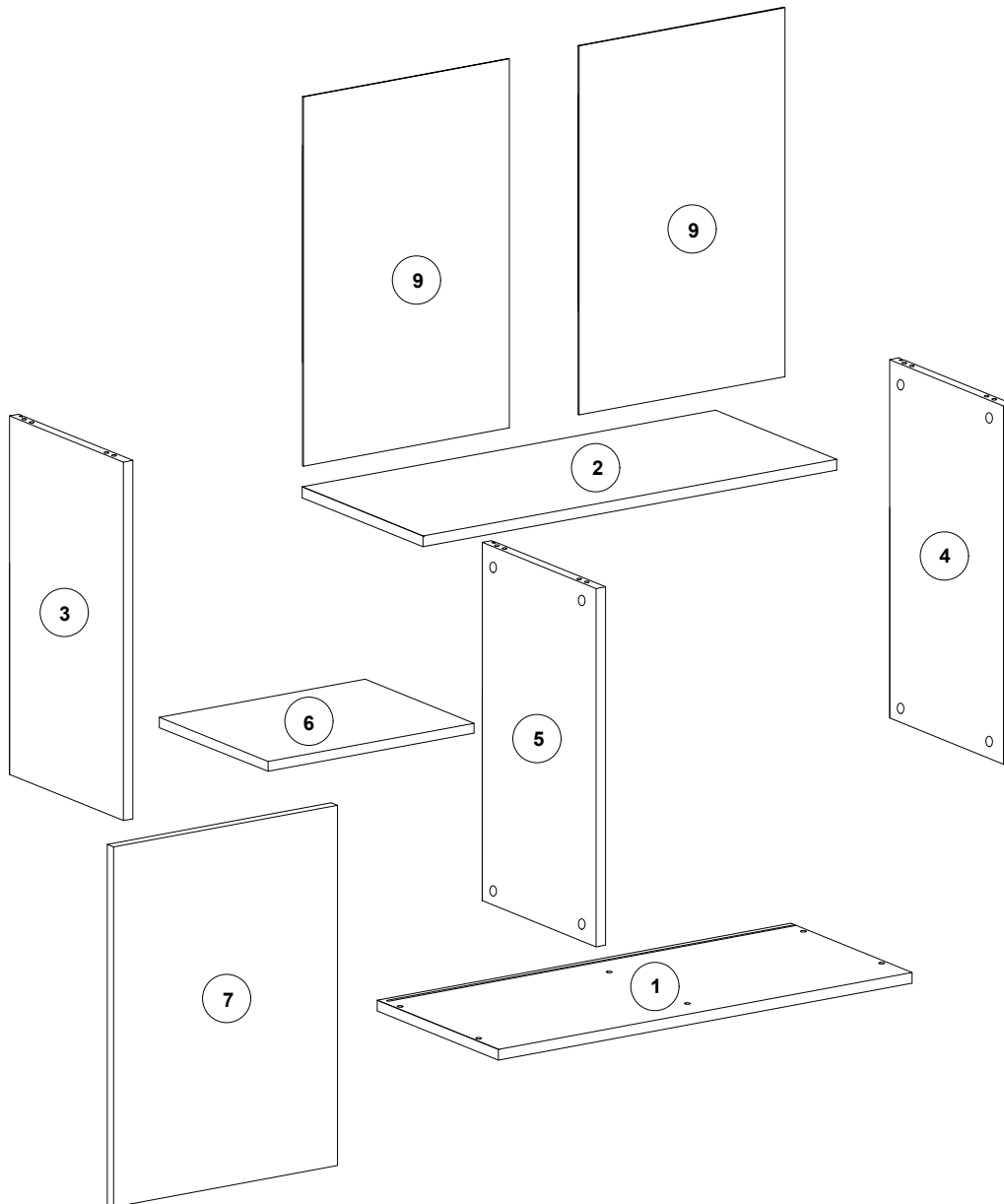
Remember, brave assembler, you hold the power to turn a pile of parts into a functional masterpiece. With great power comes great responsibility. May your assembly journey be smooth, your Allen wrench swift, and your furniture stand tall and proud.

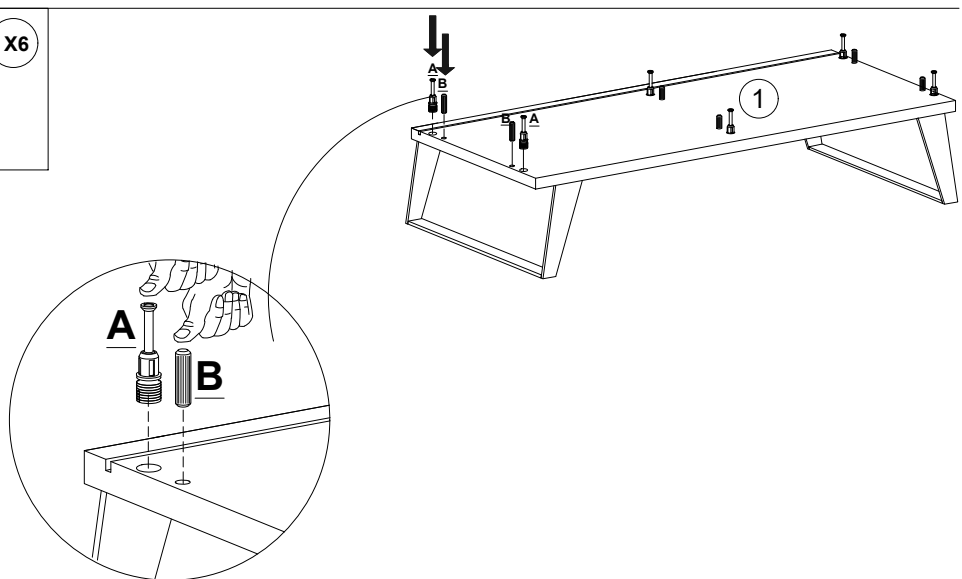
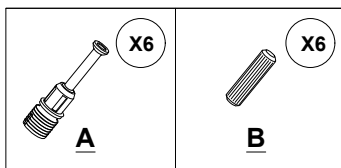
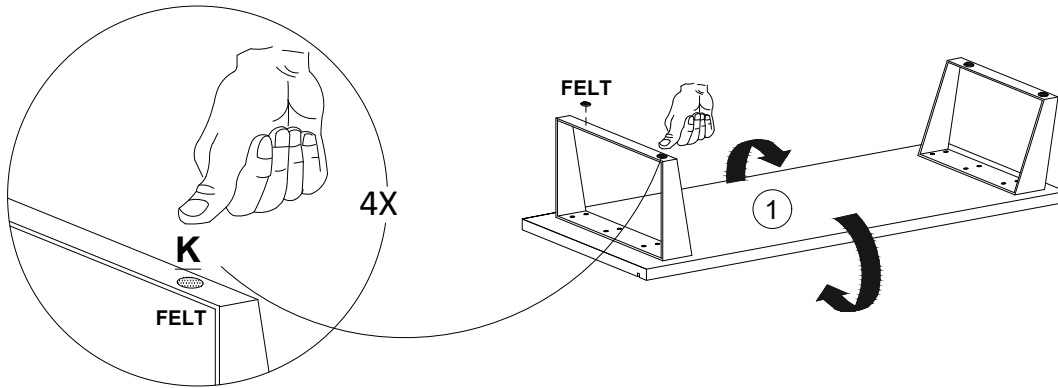
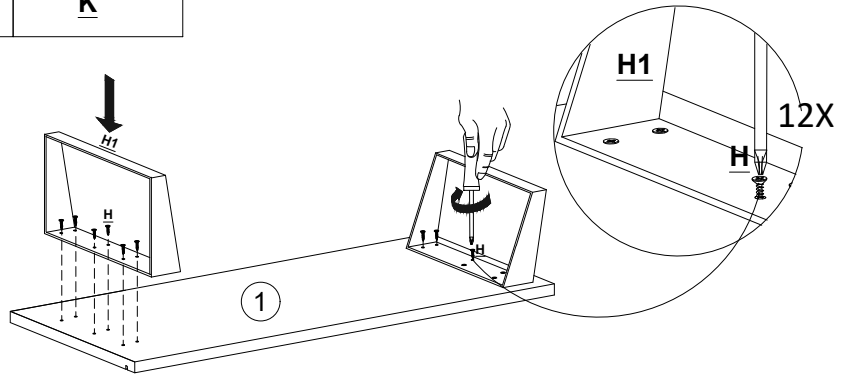
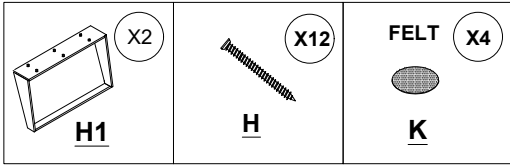
Happy assembling!

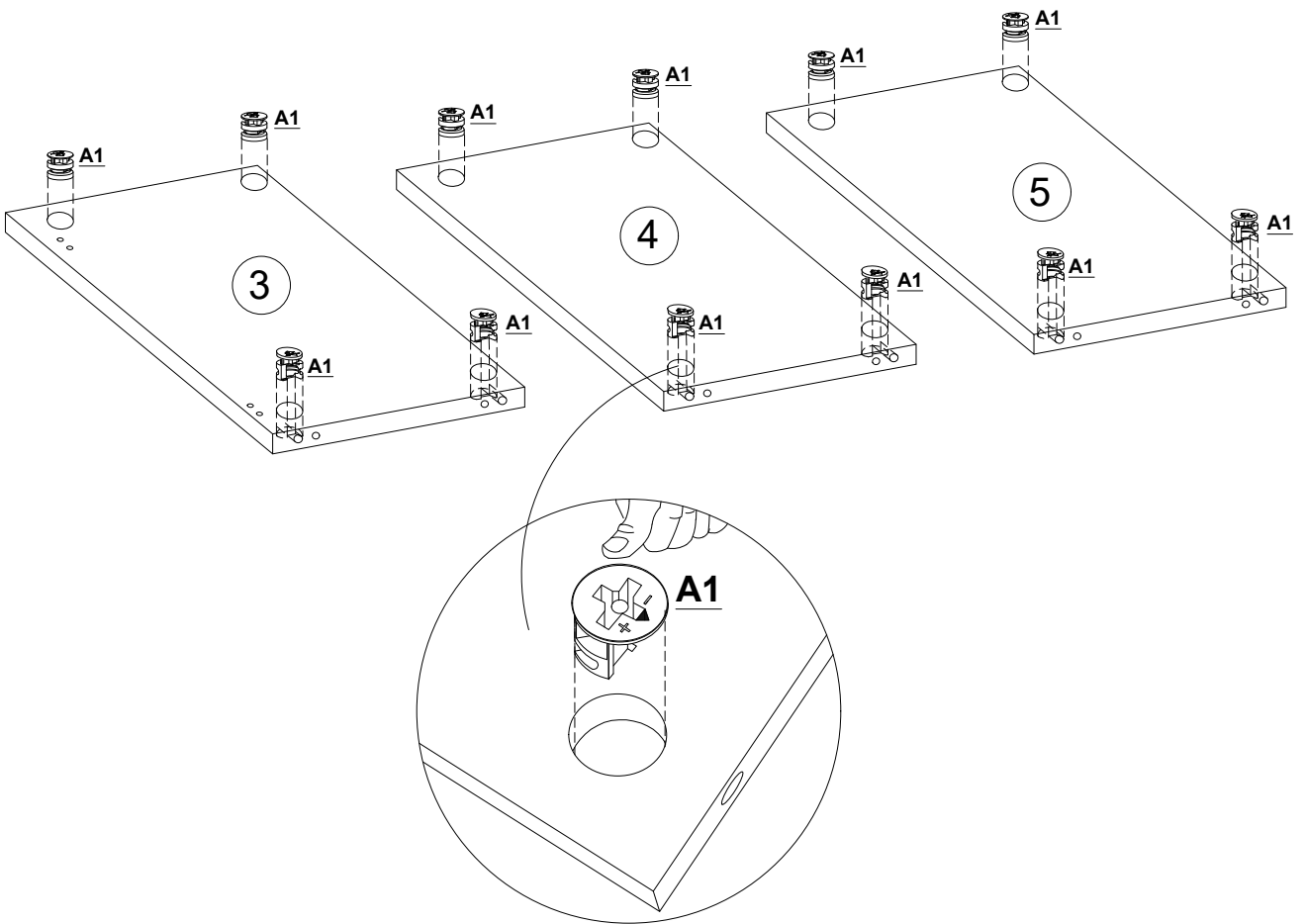
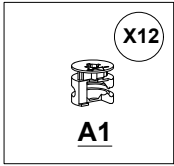


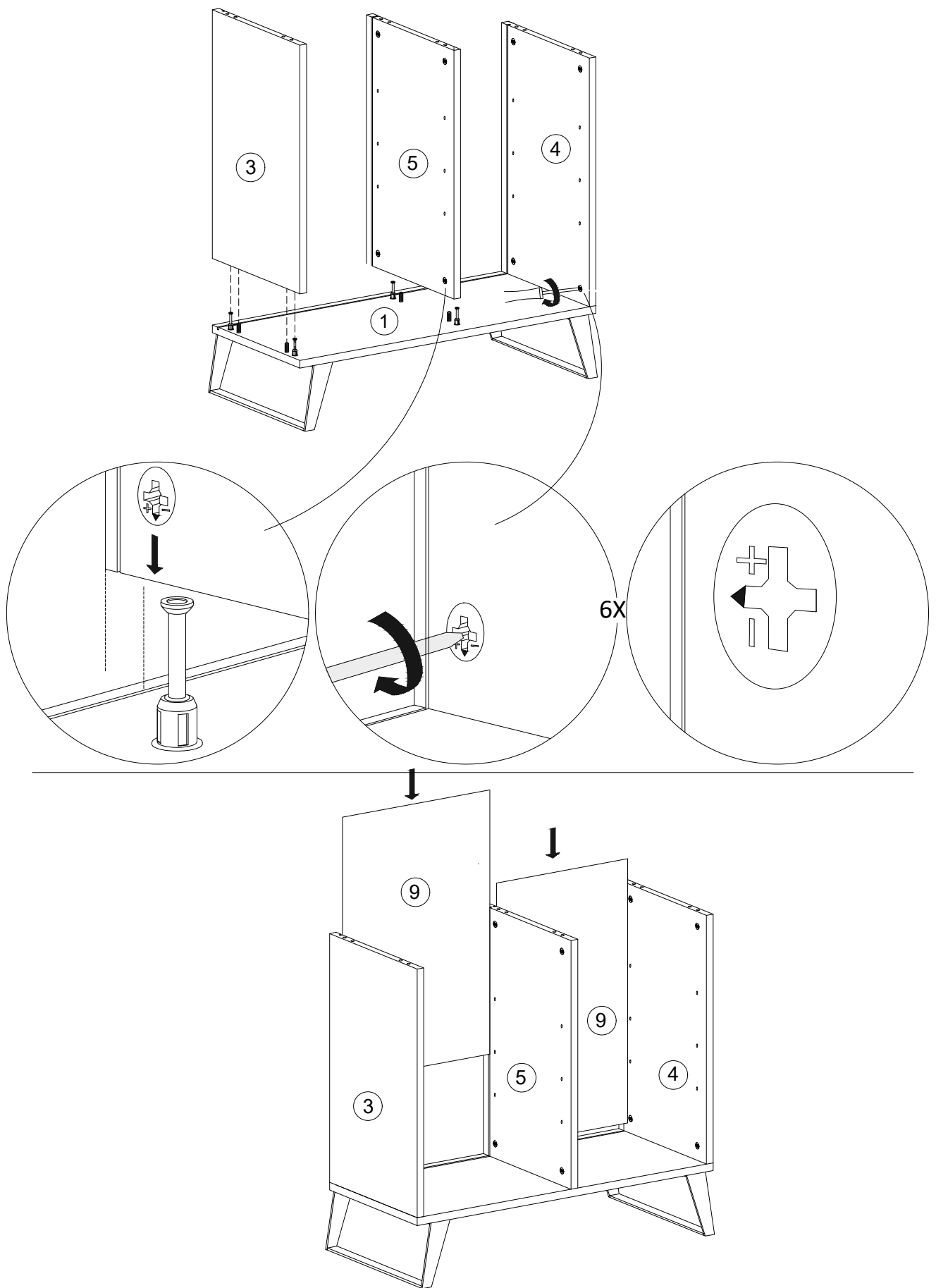


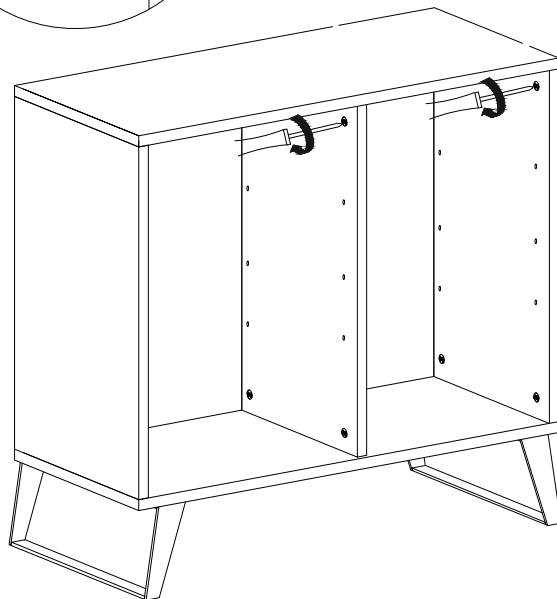
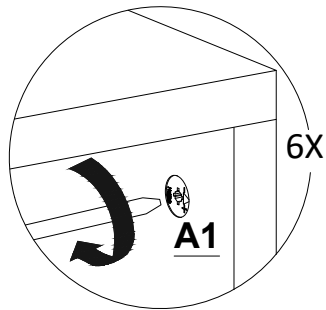
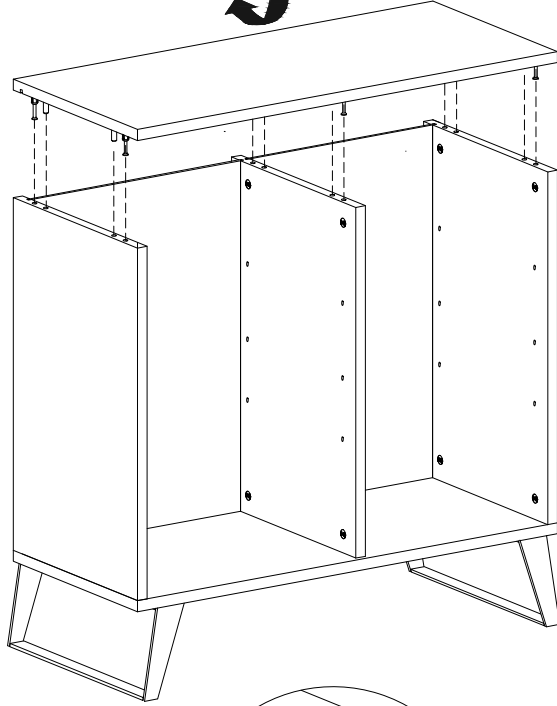
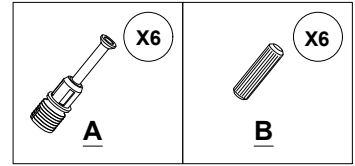
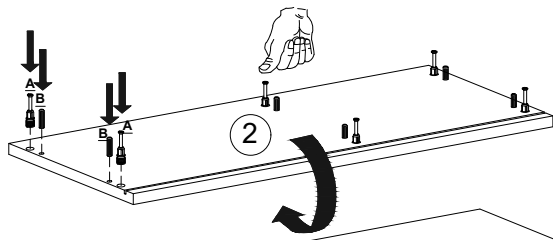
No	a*b(mm)	a*b(inches)	Pcs
1	900x446	35 3/8x17 1/4	1
2	900x446	35 3/8x17 1/4	1
3	714x446	28 1/8x17 1/4	1
4	714x446	28 1/8x17 1/4	1
5	714x416	28 1/8x16 3/8	1
6	421x390	16 5/8x15 3/8	1
7	708x436	27 7/8x17 1/8	1
9	724x432	28 1/2x17	2

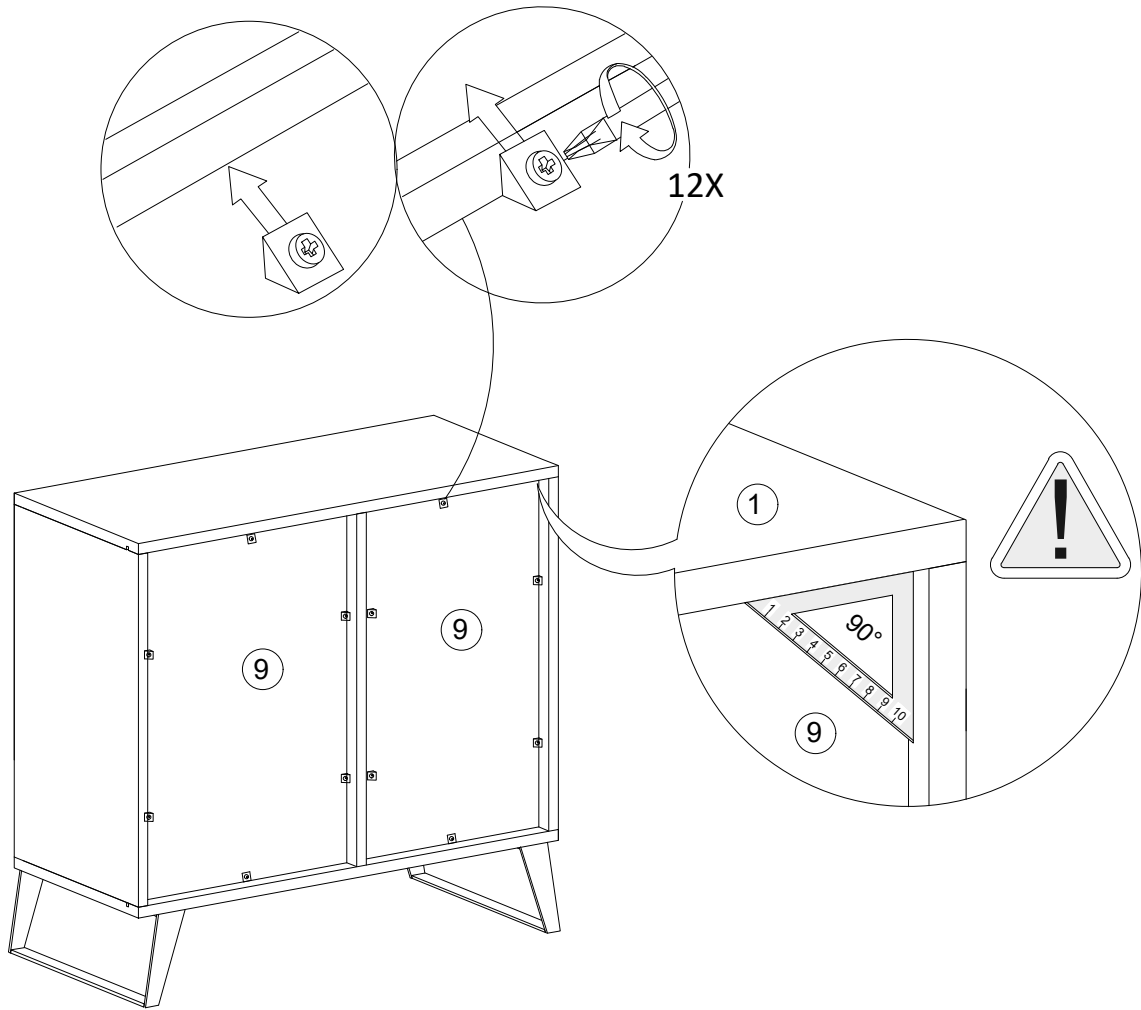
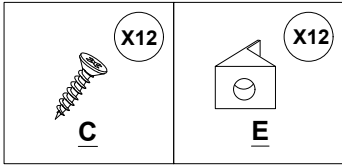


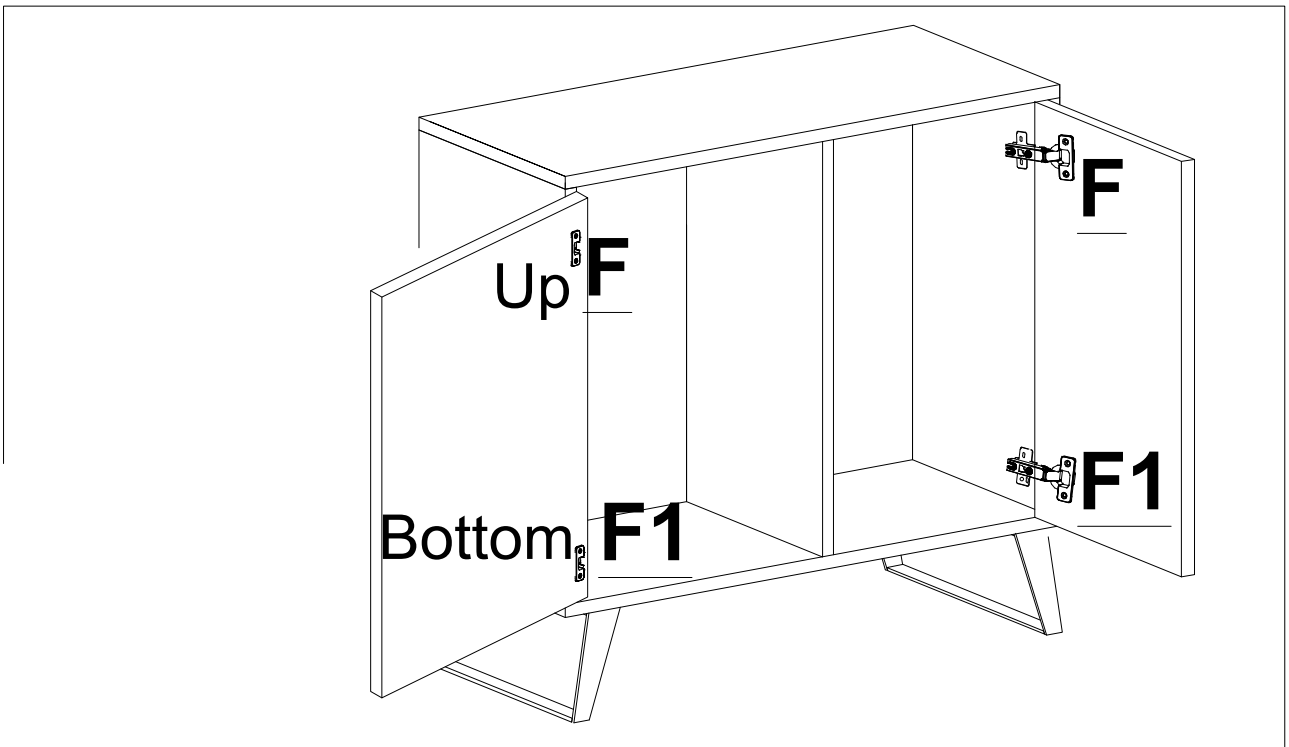
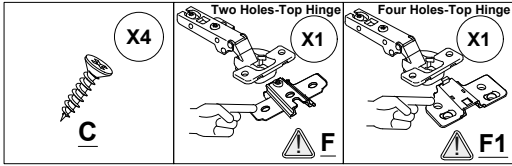






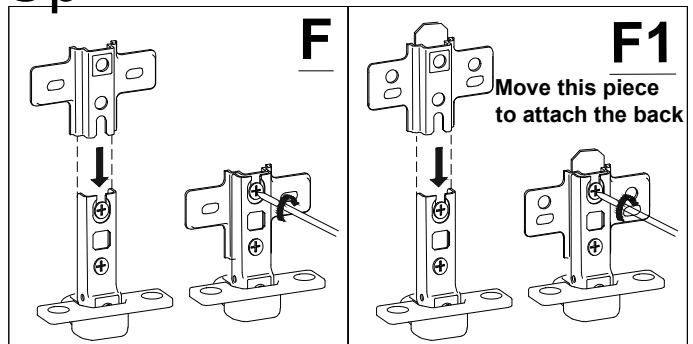






Up

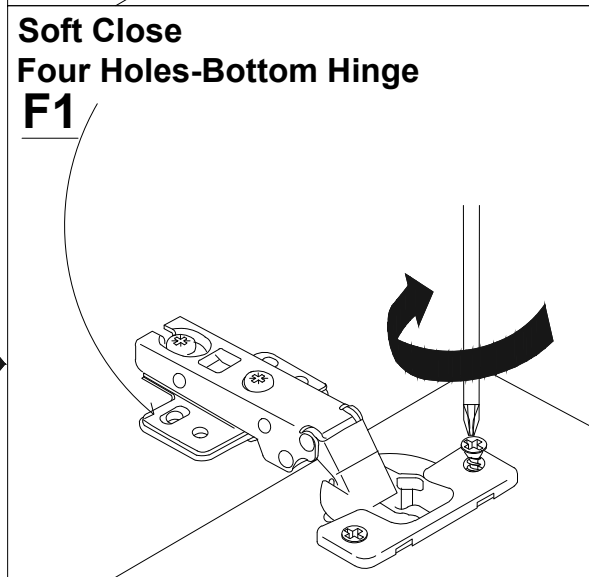
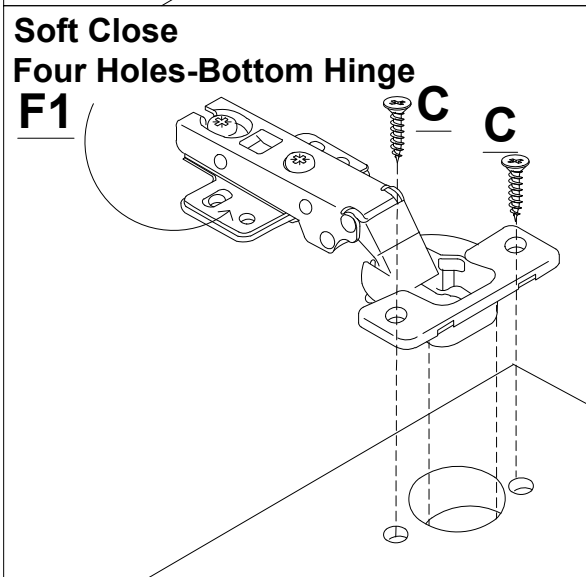
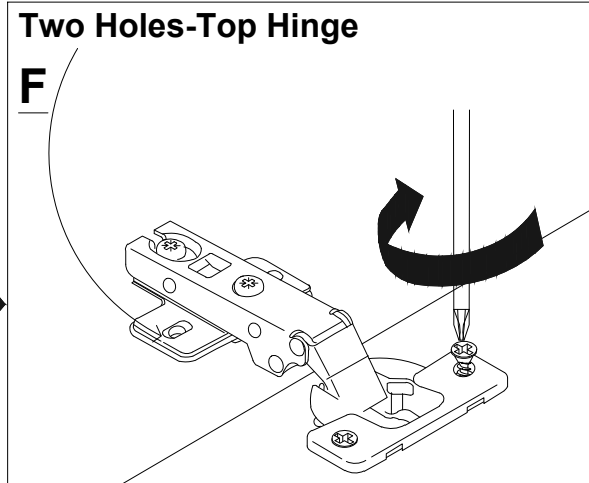
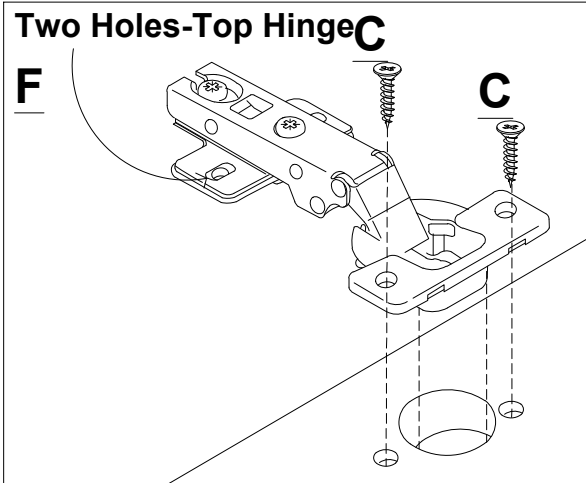
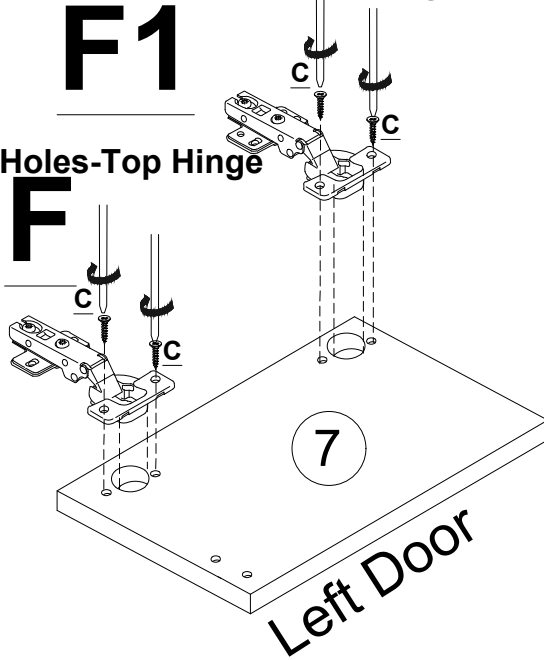
Bottom

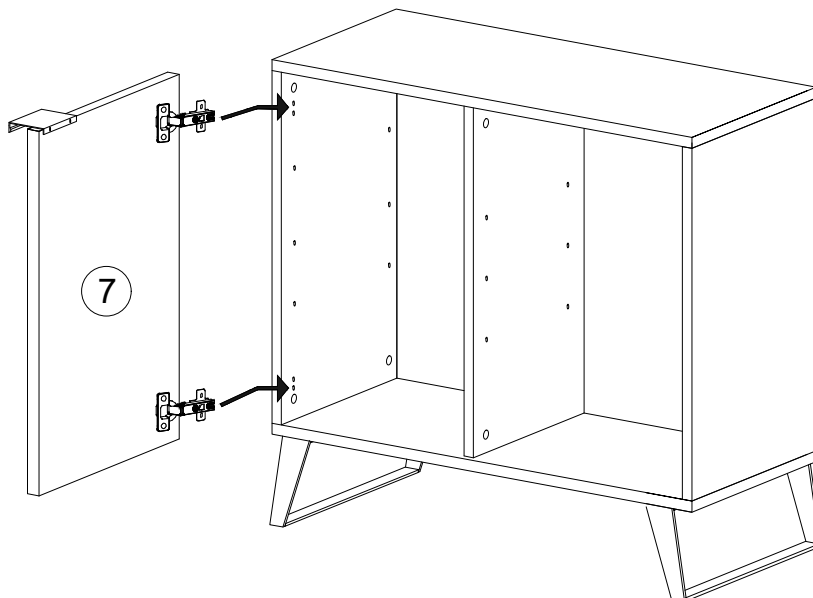
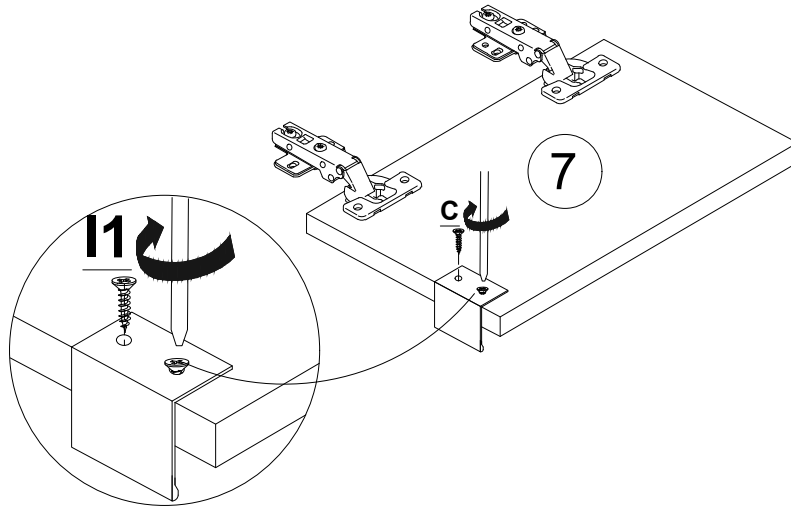
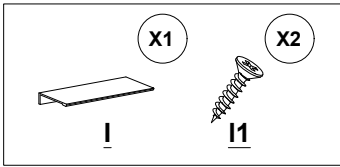


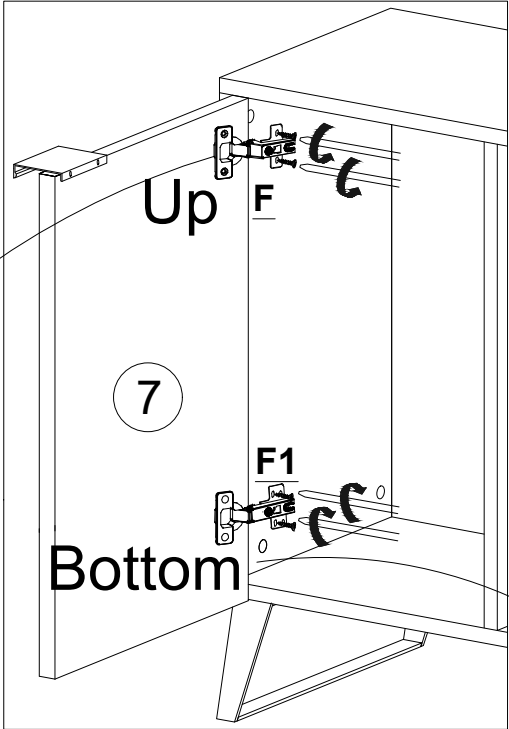
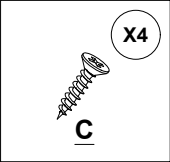
Soft Close Four Holes-Bottom Hinge

F1

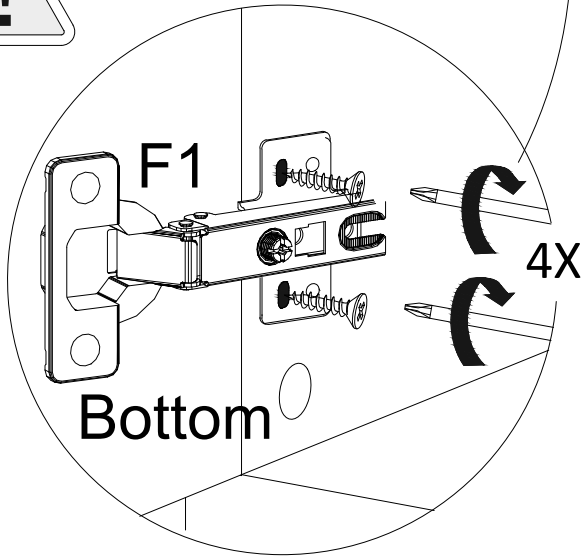
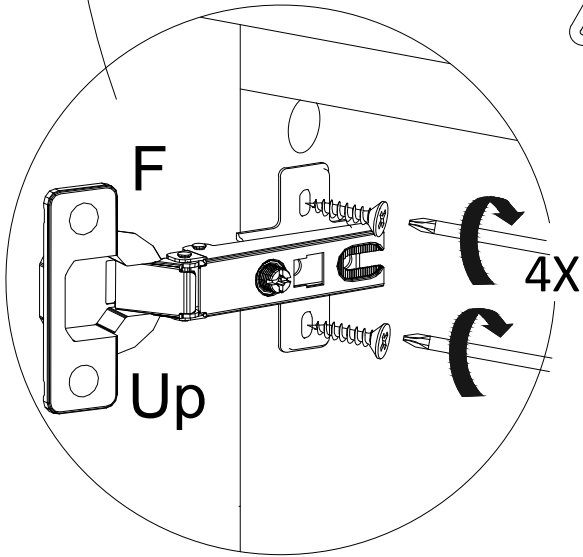
Two Holes-Top Hinge





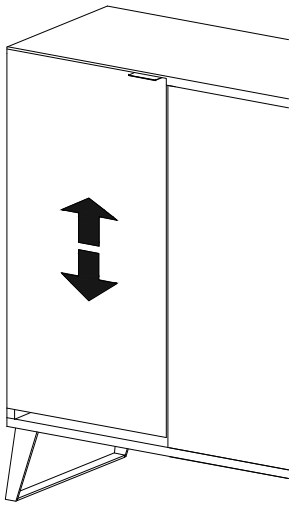
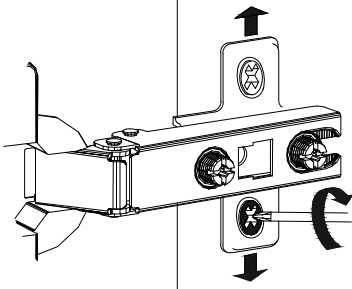


Use the marked Holes for 'F1'

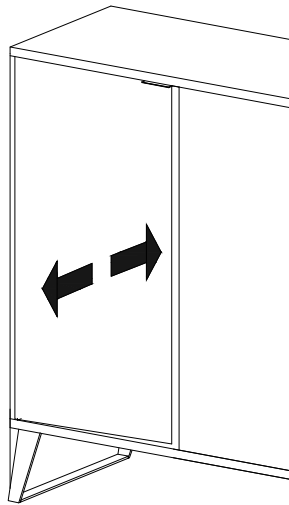
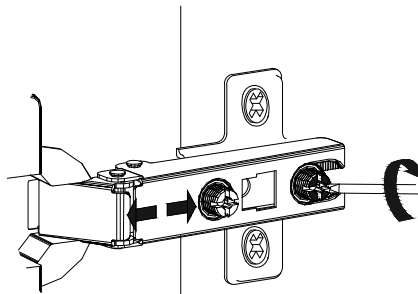




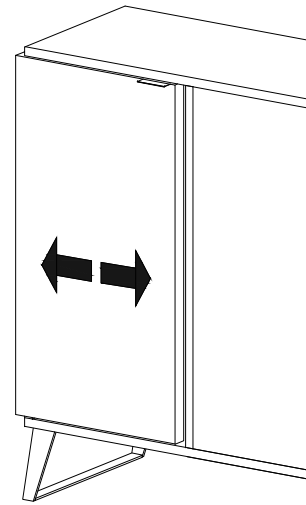
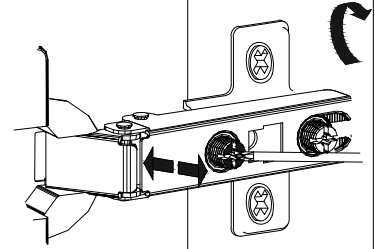
Up-Down

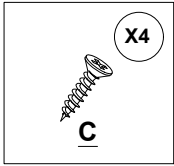


Back and Forth

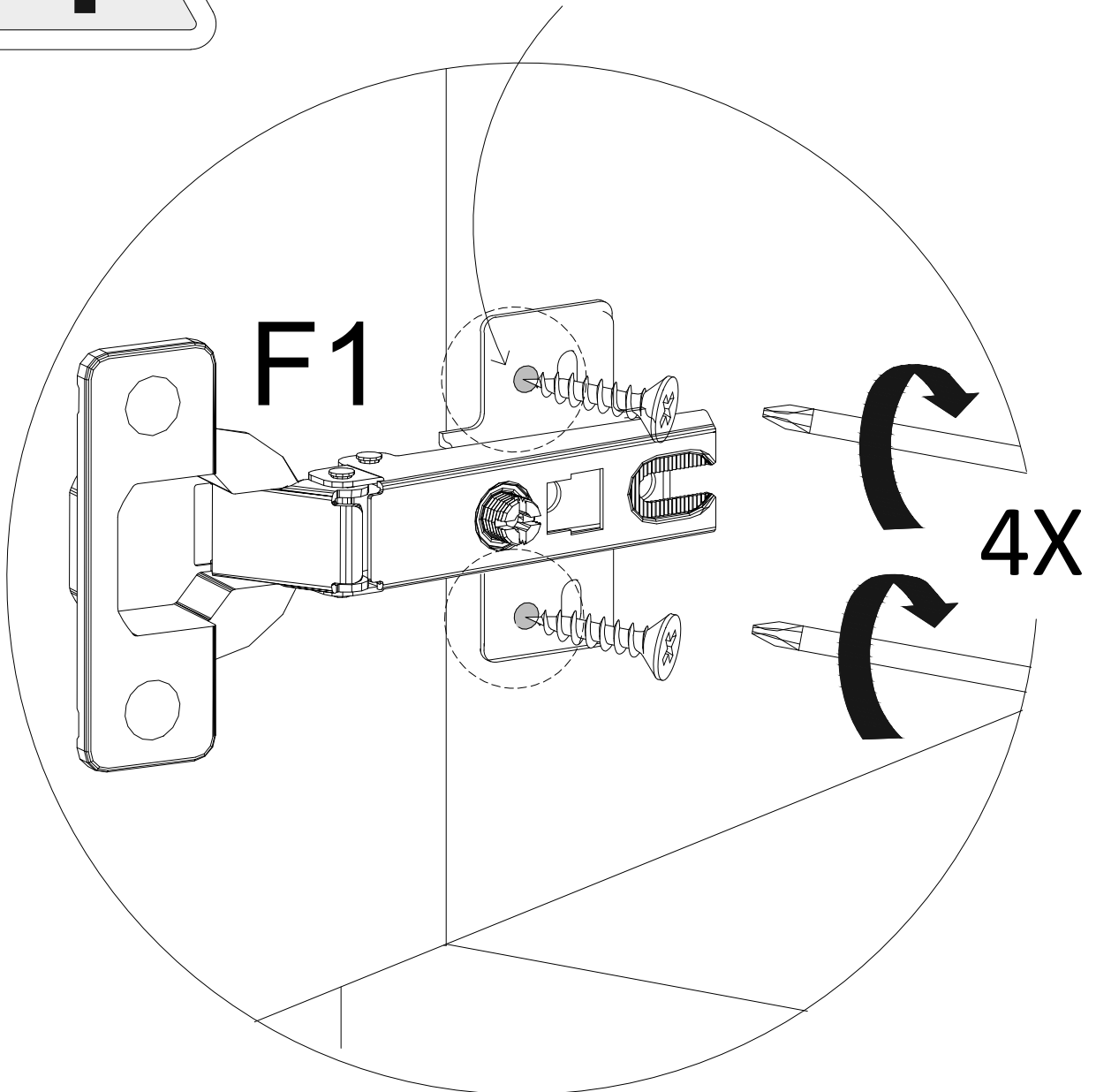


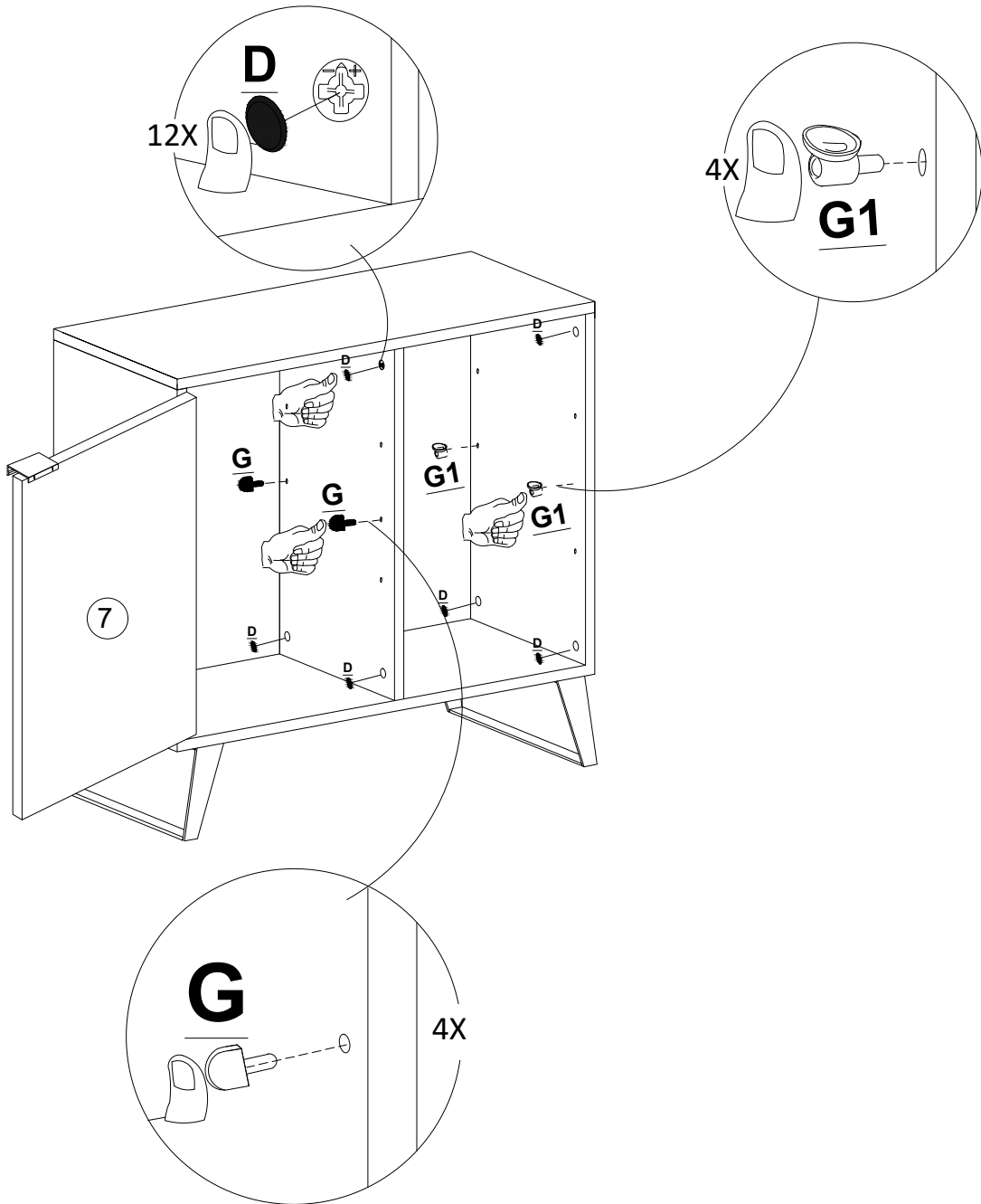
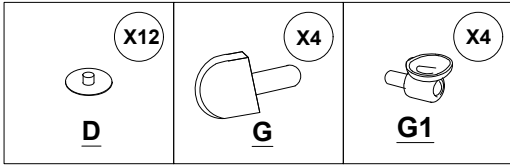
Left-Right

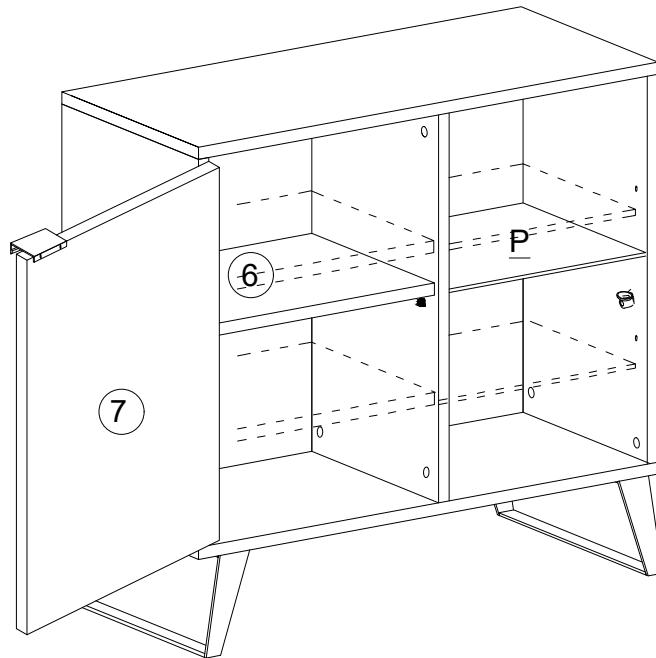
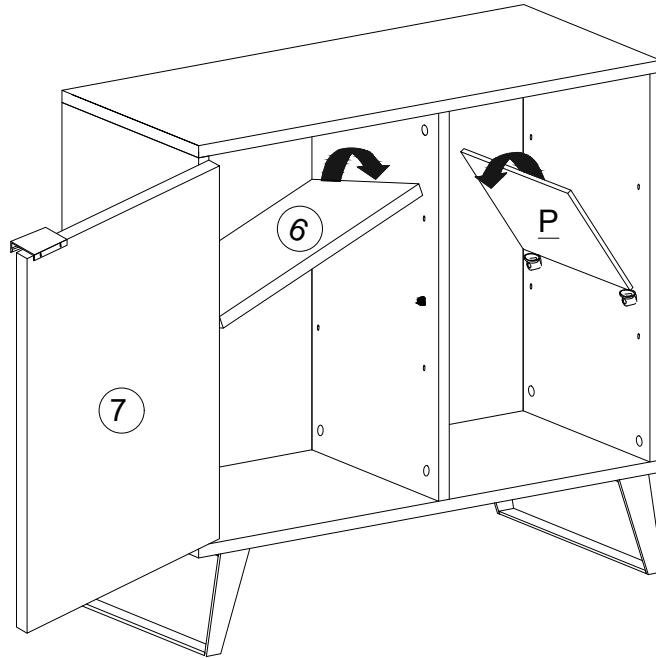




***After adjusting the doors,
use fixing screws to fix the
soft close hinges.**







Notes

A series of horizontal dotted lines for writing notes.