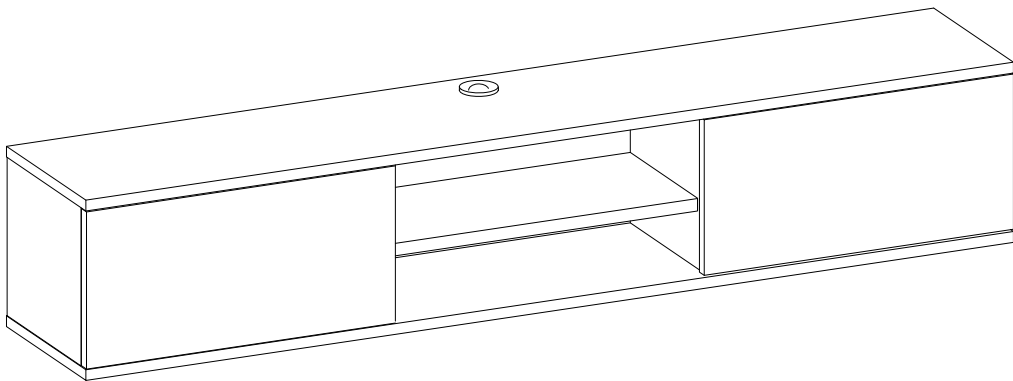




SCAN FOR
VIDEO ASSEMBLY





Español

¡ADVERTENCIA!

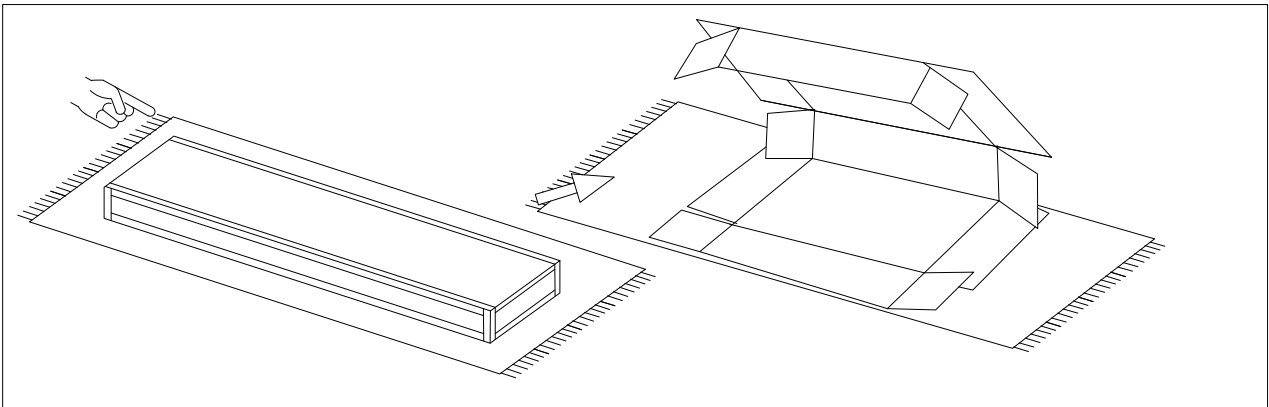
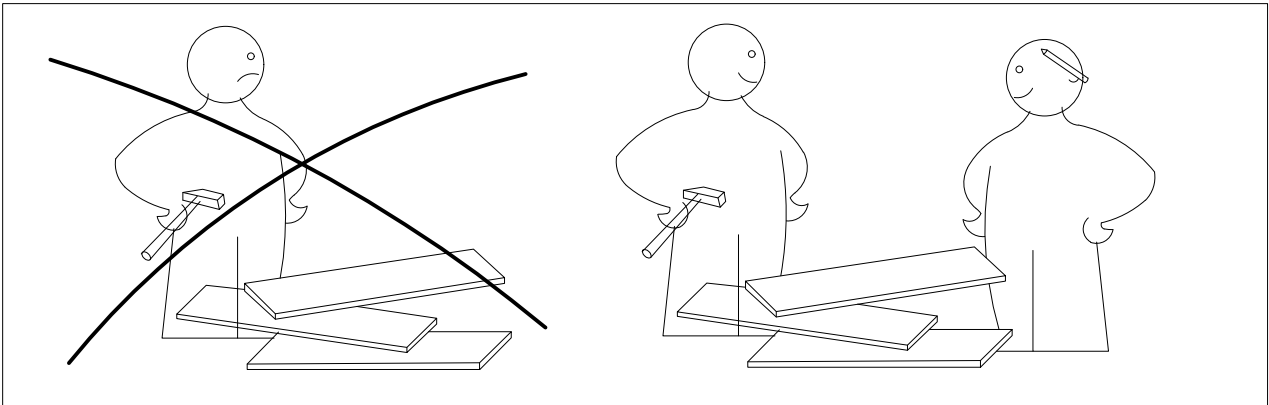
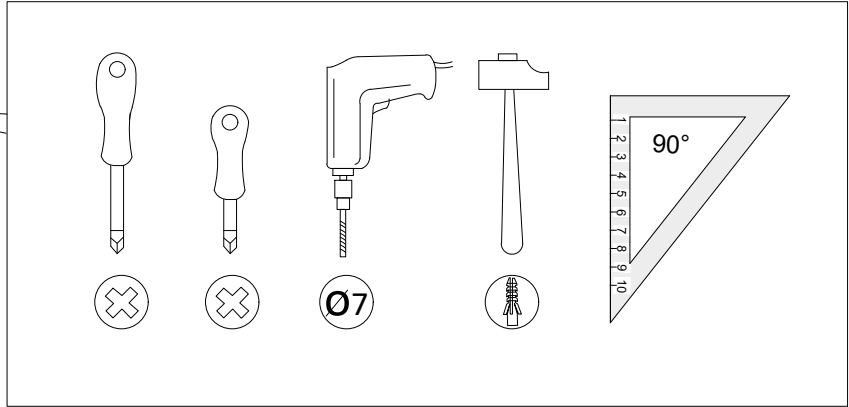
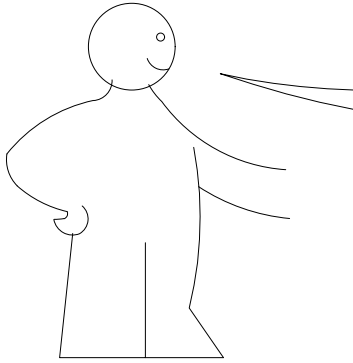
Lesiones por aplastamiento graves o mortales puede ocurrir por la volcadura de muebles. Para evitar que se vuelque este mueble recomendamos encarecidamente su uso con el(los) dispositivo (s) de fijación a la pared proporcionar.

English

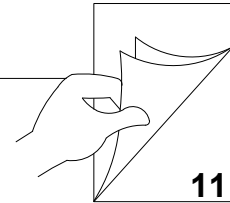
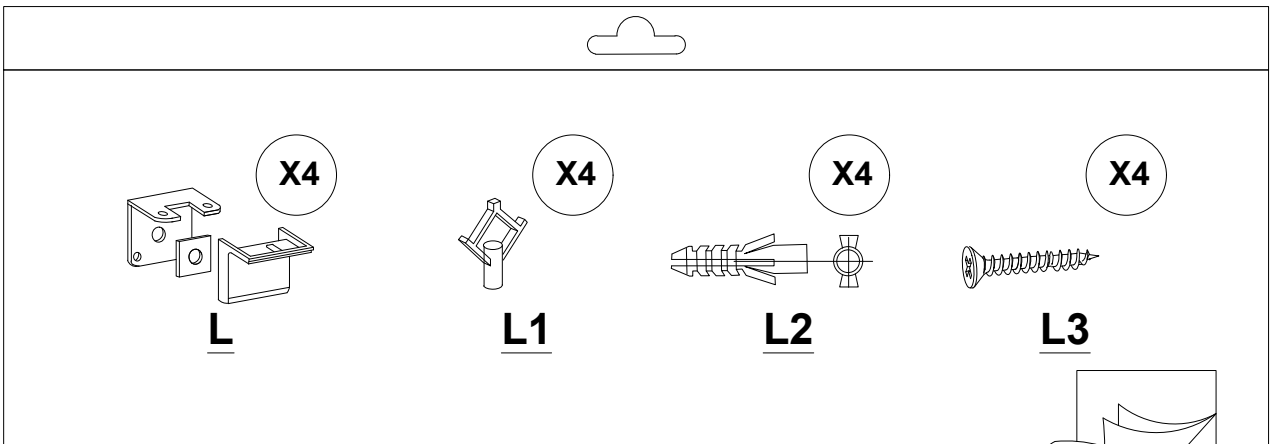
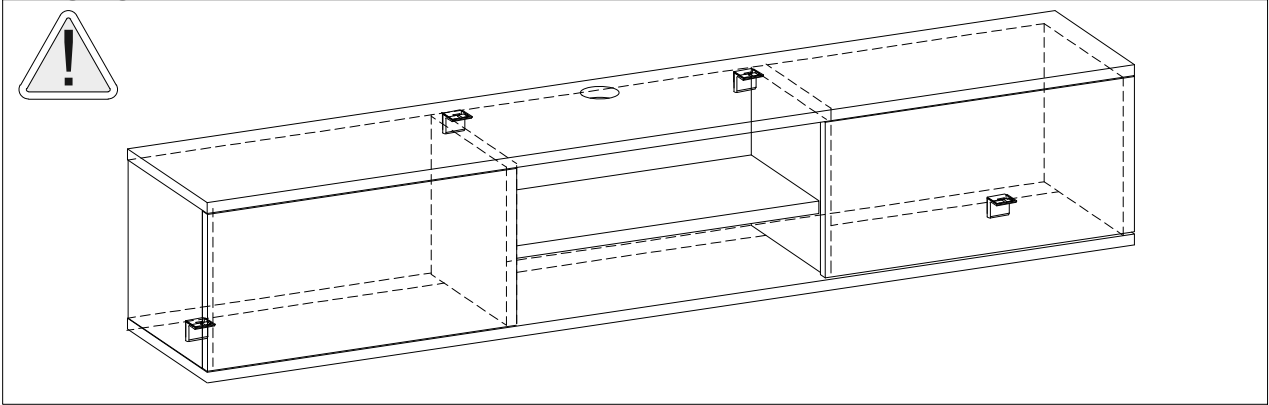
WARNING!

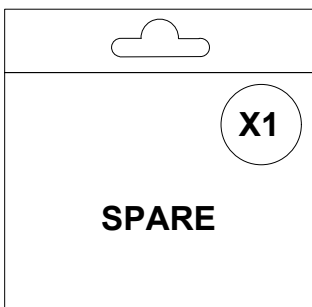
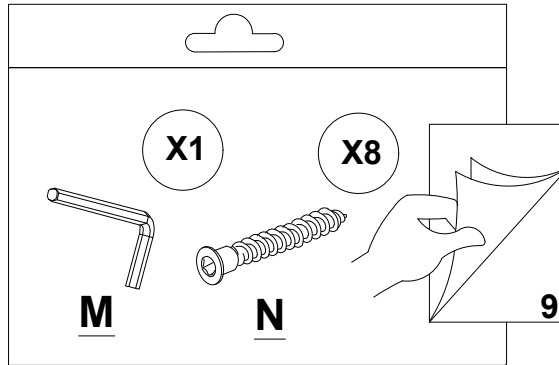
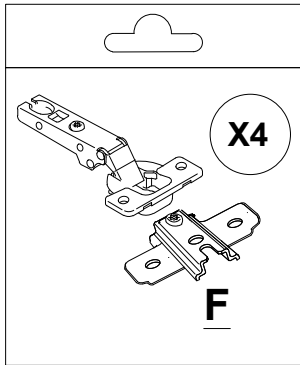
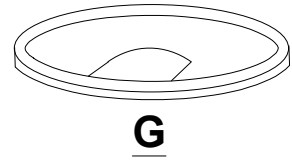
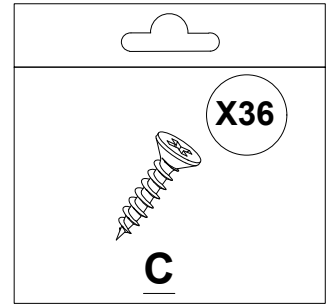
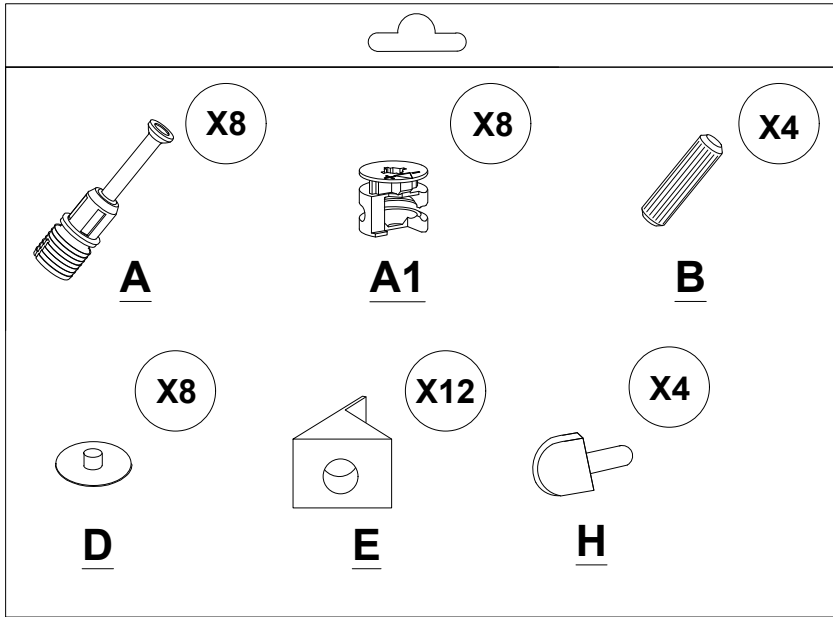
Serious or fatal crushing injuries can occur from furniture tip over. To prevent tip over this furniture we highly recommend to use with the wall attachment device(s) provided.

Use the drill only for wall fixing

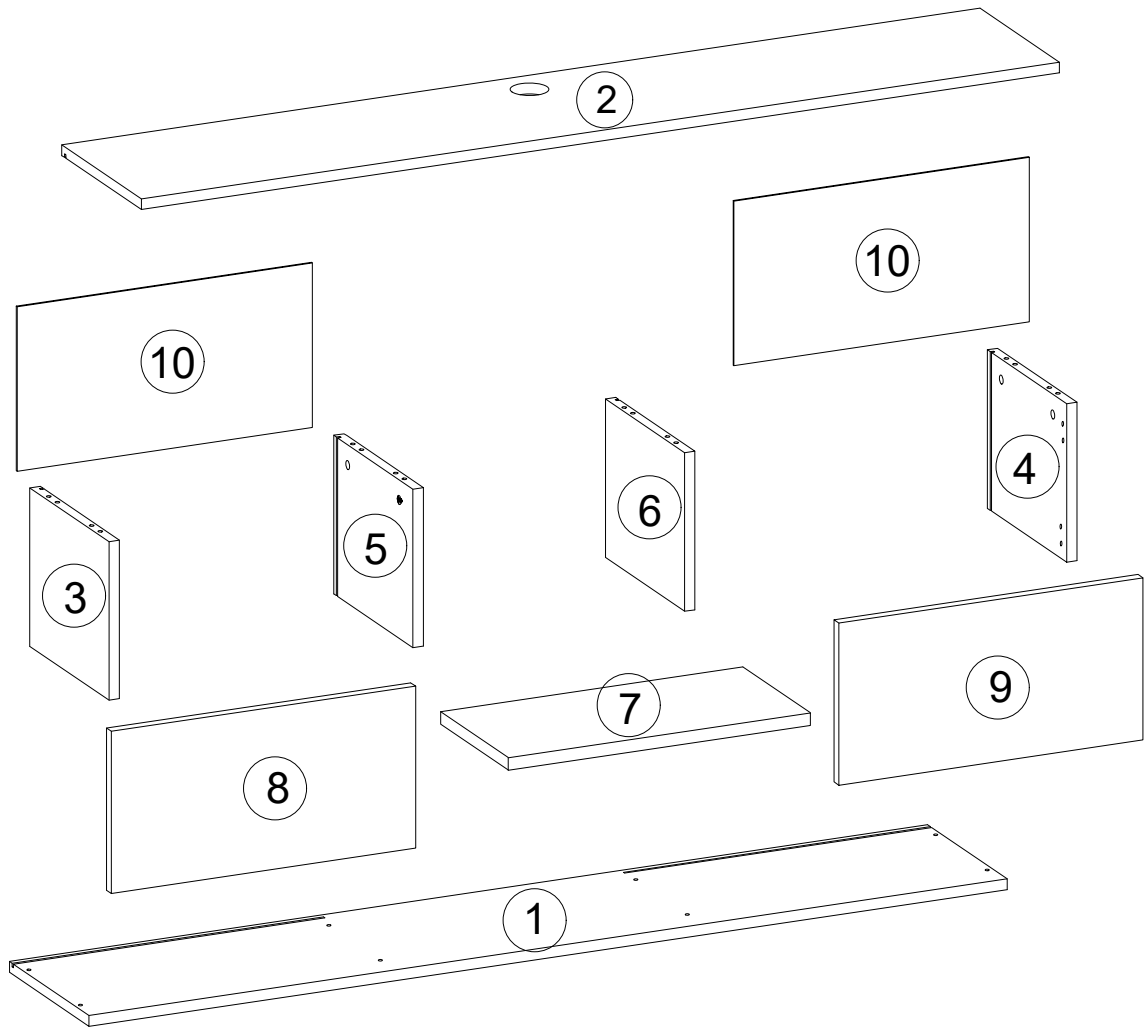


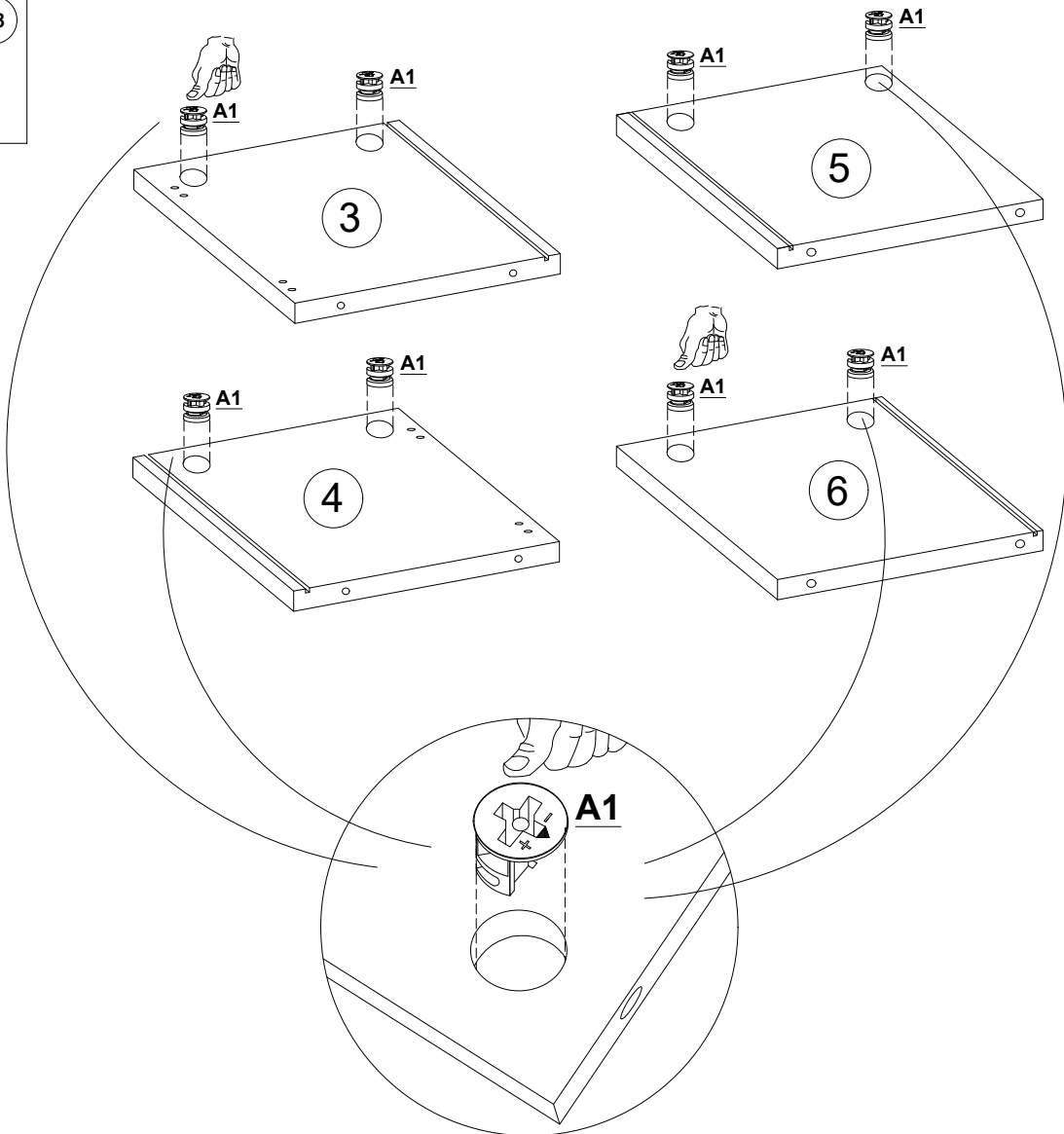
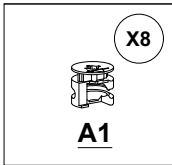
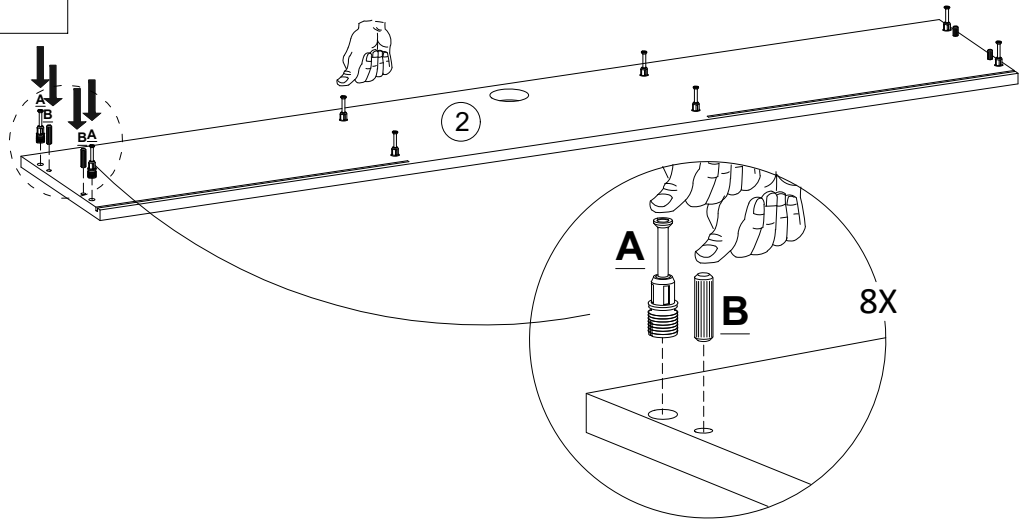
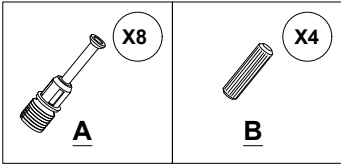
Hanging brackets

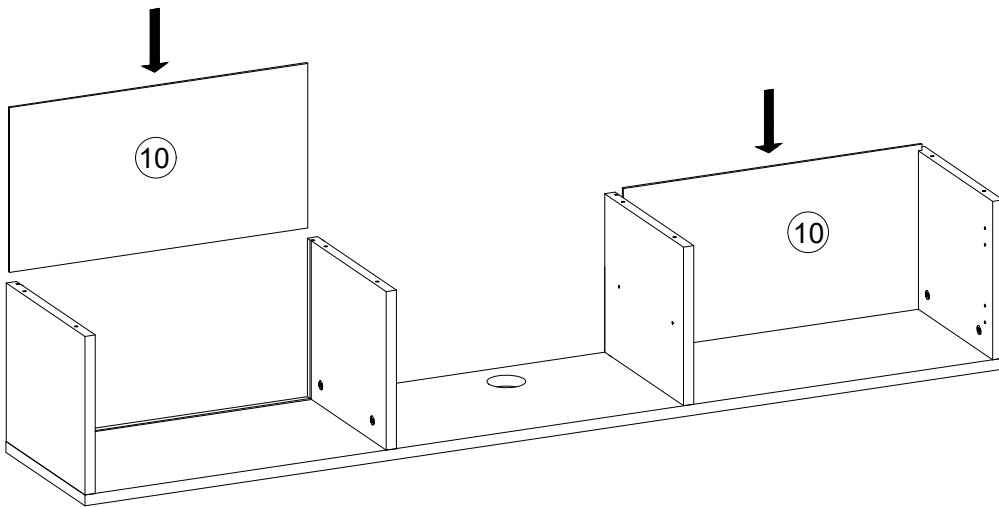
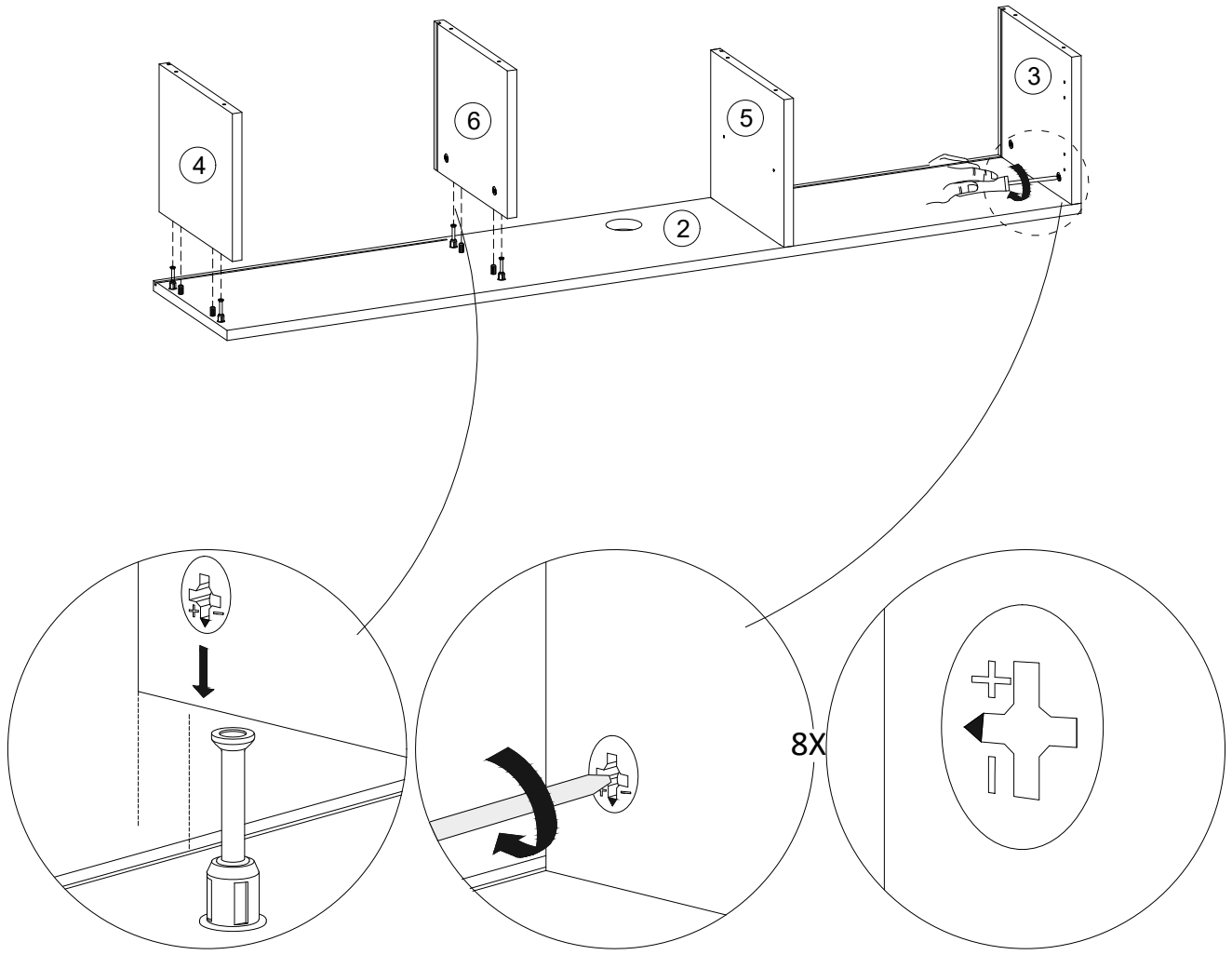


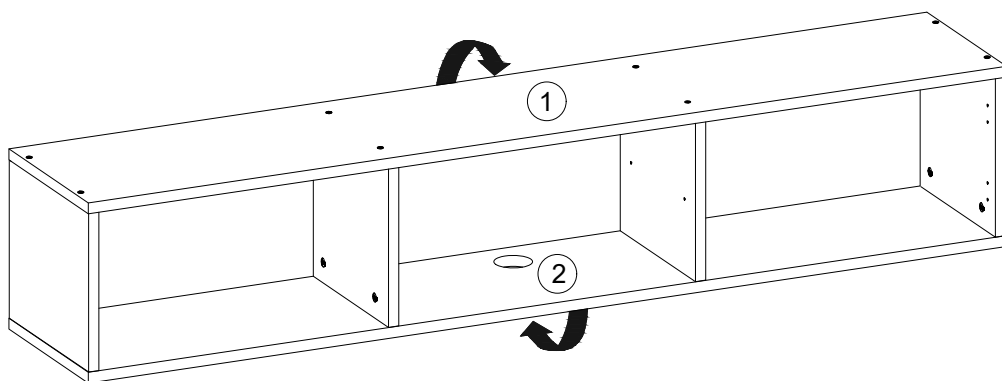
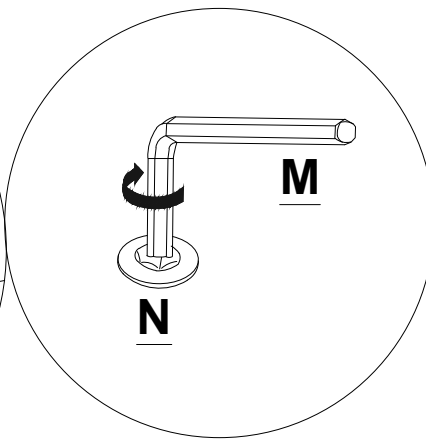
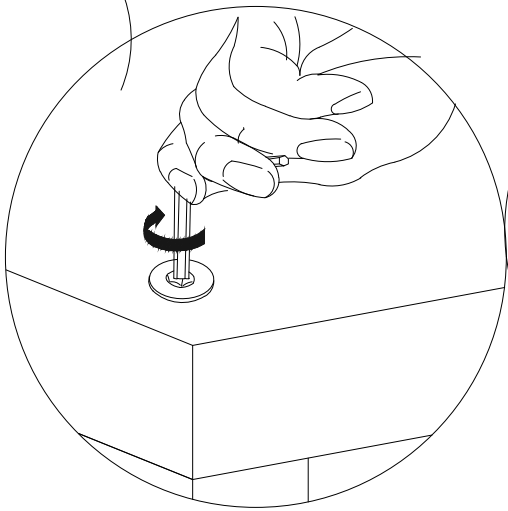
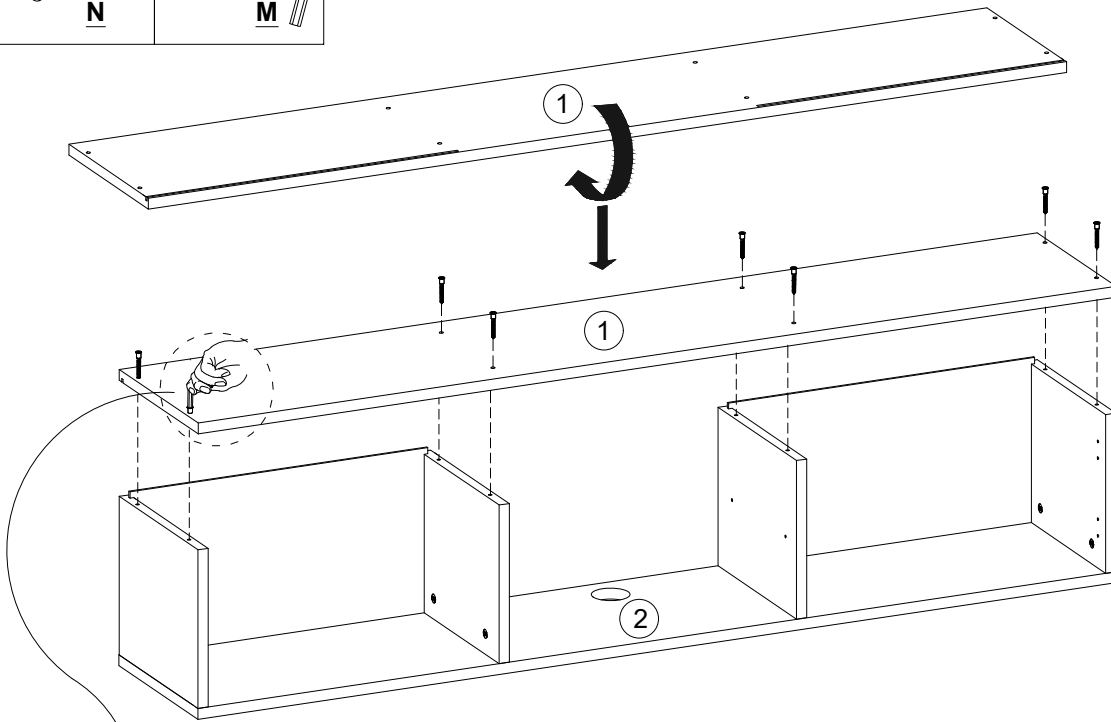
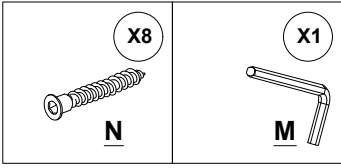


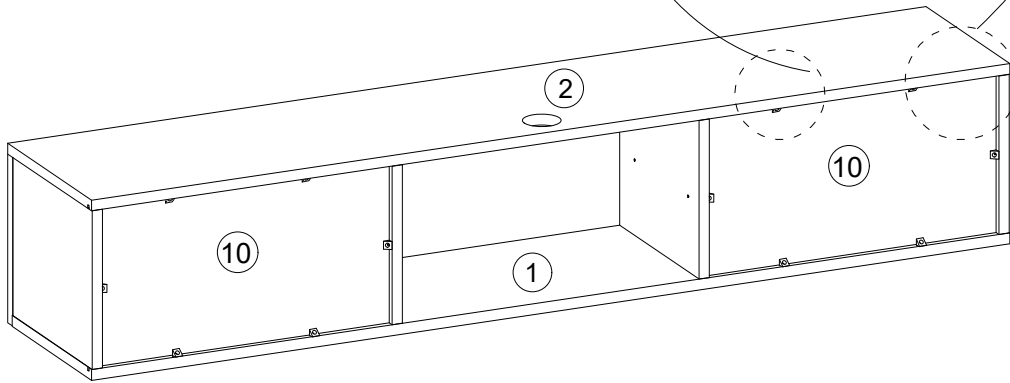
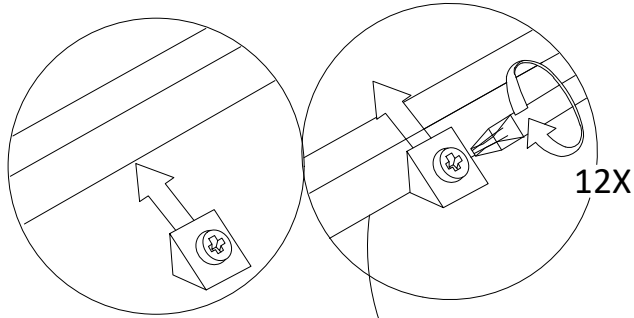
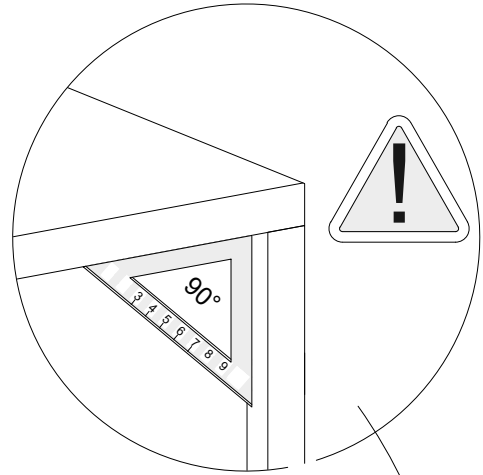
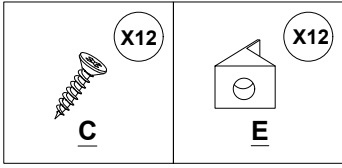
No	a*b(mm)	a*b(inches)	Pcs
1	1800x294	70 7/8x11 5/8	1
2	1800x294	70 7/8x11 5/8	1
3	250x274	9 7/8x10 3/4	1
4	250x274	9 7/8x10 3/4	1
5	250x274	9 7/8x10 3/4	1
6	250x274	9 7/8x10 3/4	1
7	602x254	23 3/4x10	1
8	600x244	23 5/8x9 5/8	1
9	600x244	23 5/8x9 5/8	1
10	571x260	22 1/2x10 1/4	2

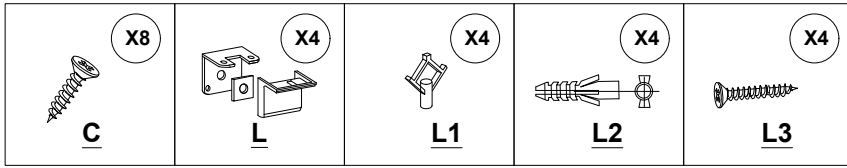




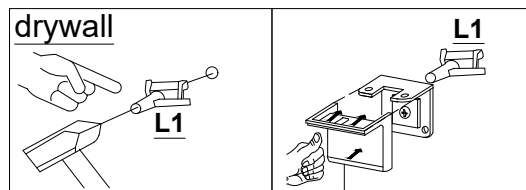
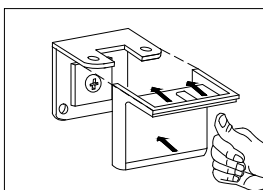
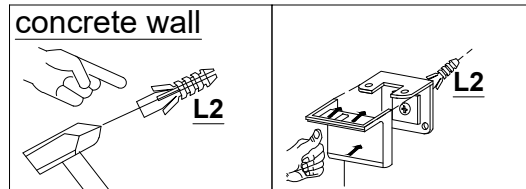
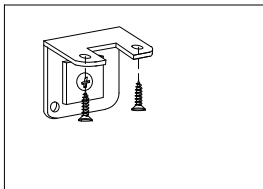
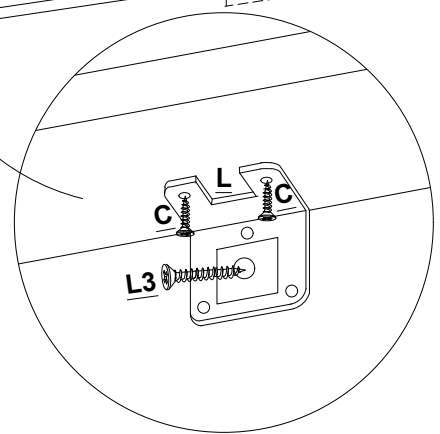
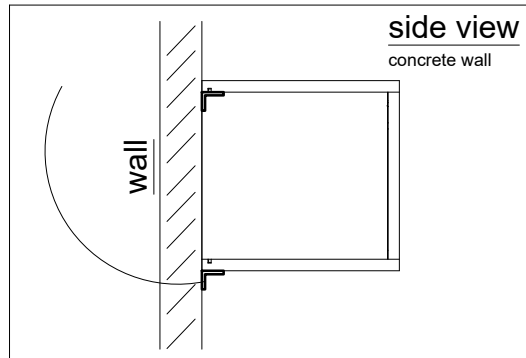
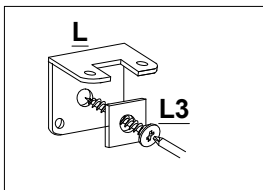
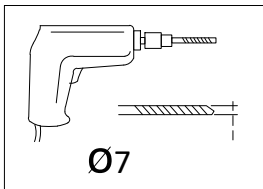
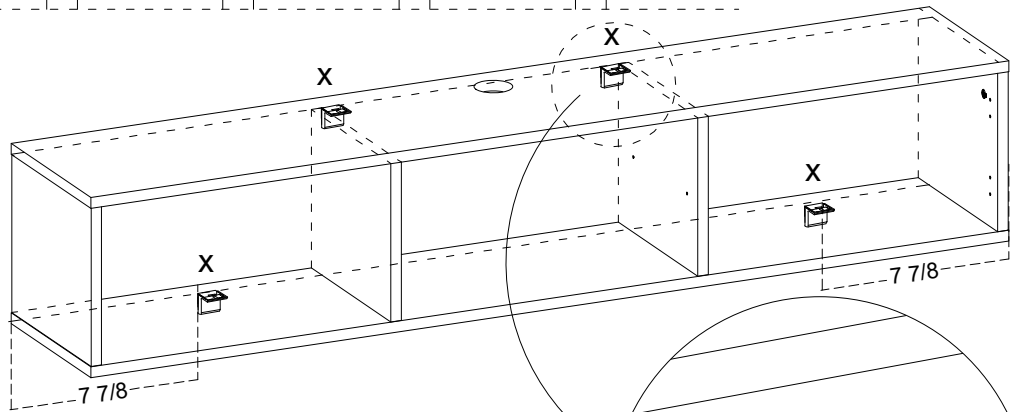
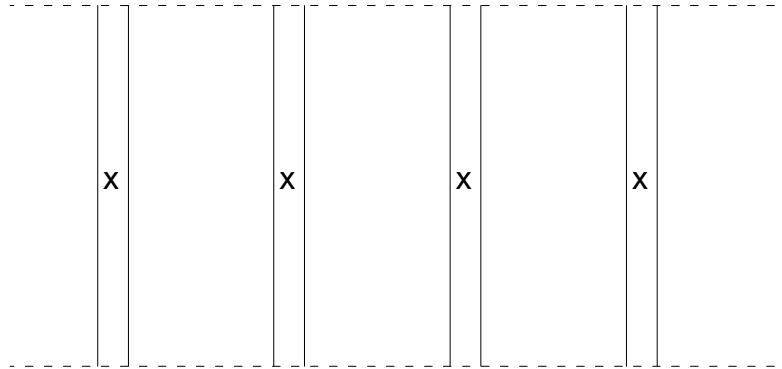




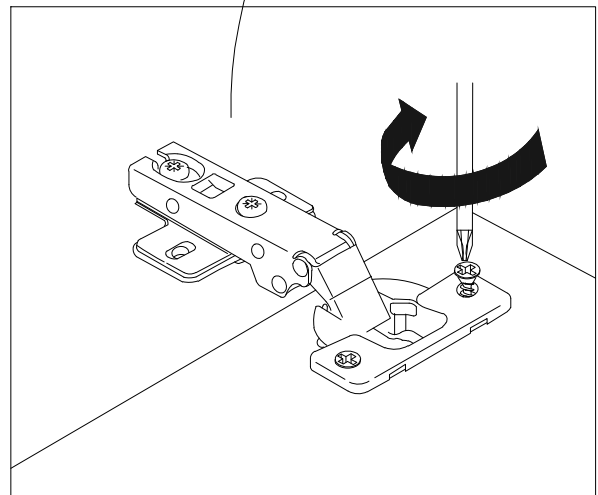
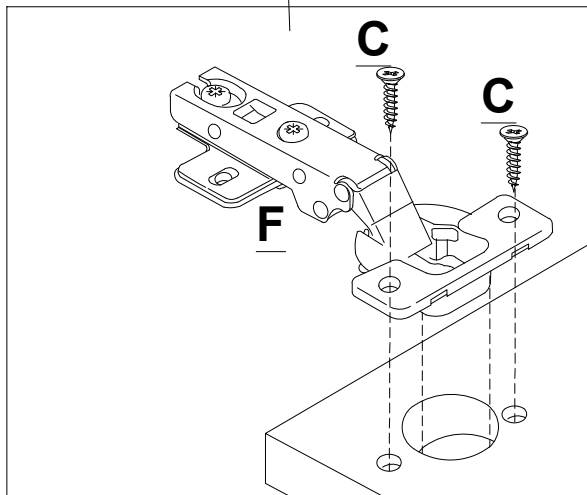
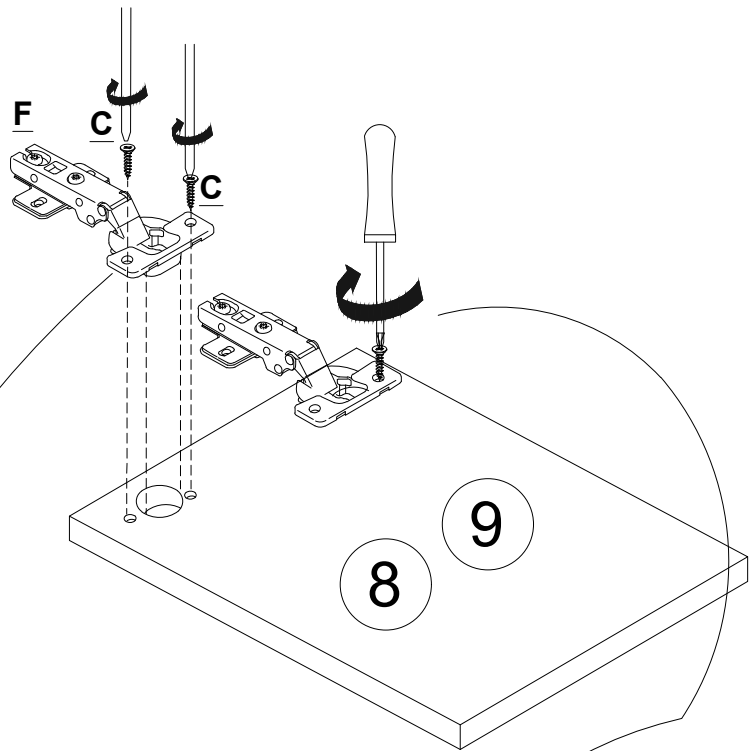
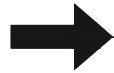
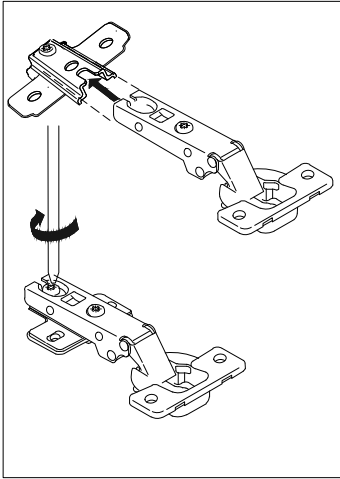
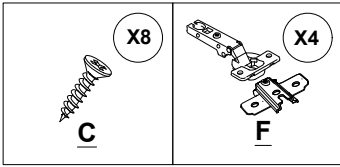


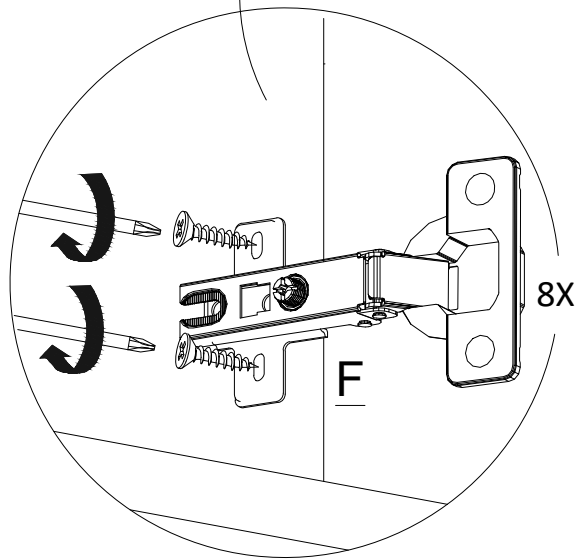
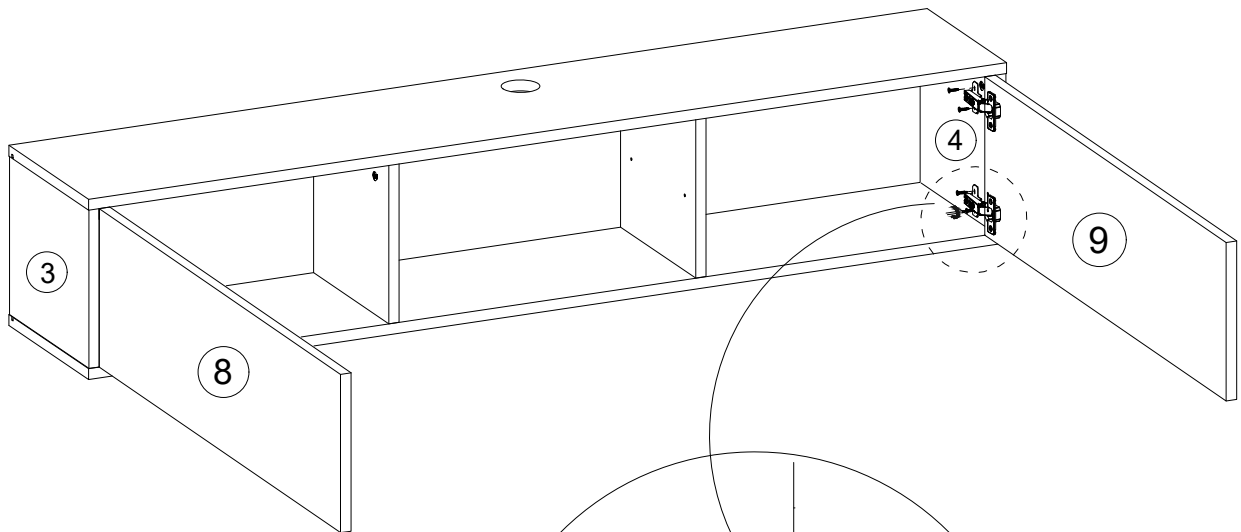
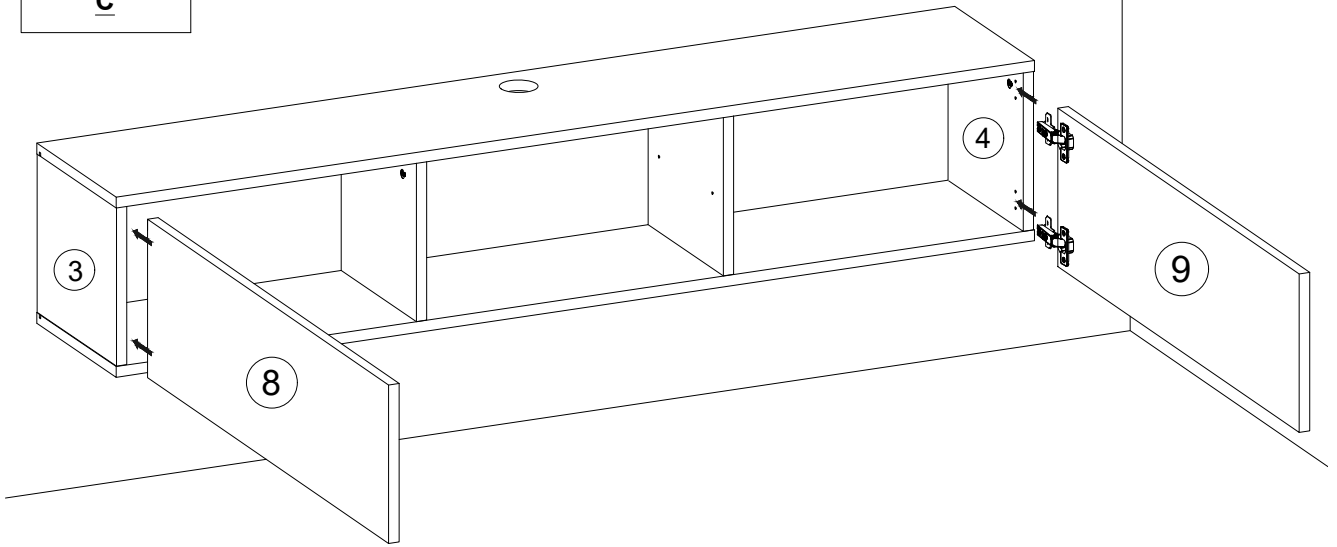
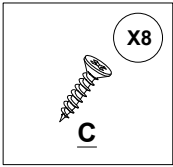


DRYWALL



or



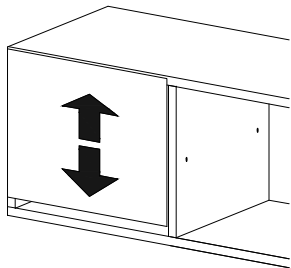
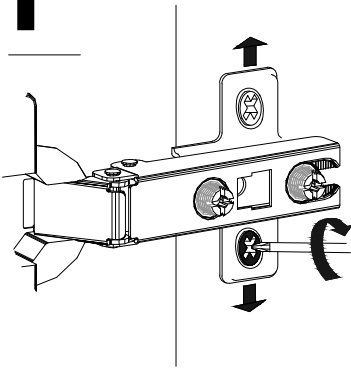




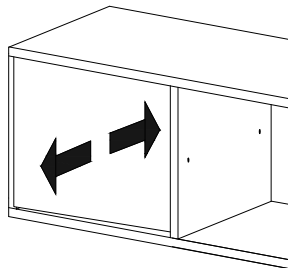
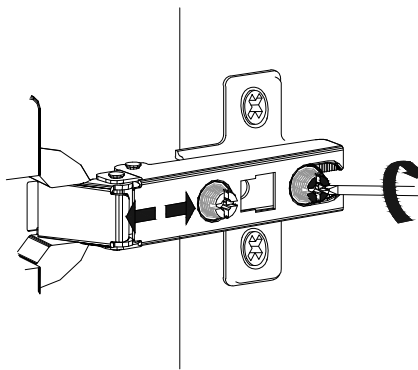
Cover Adjustments

F

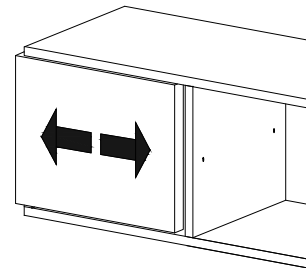
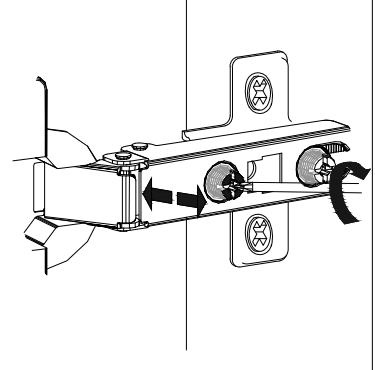
Up-Down

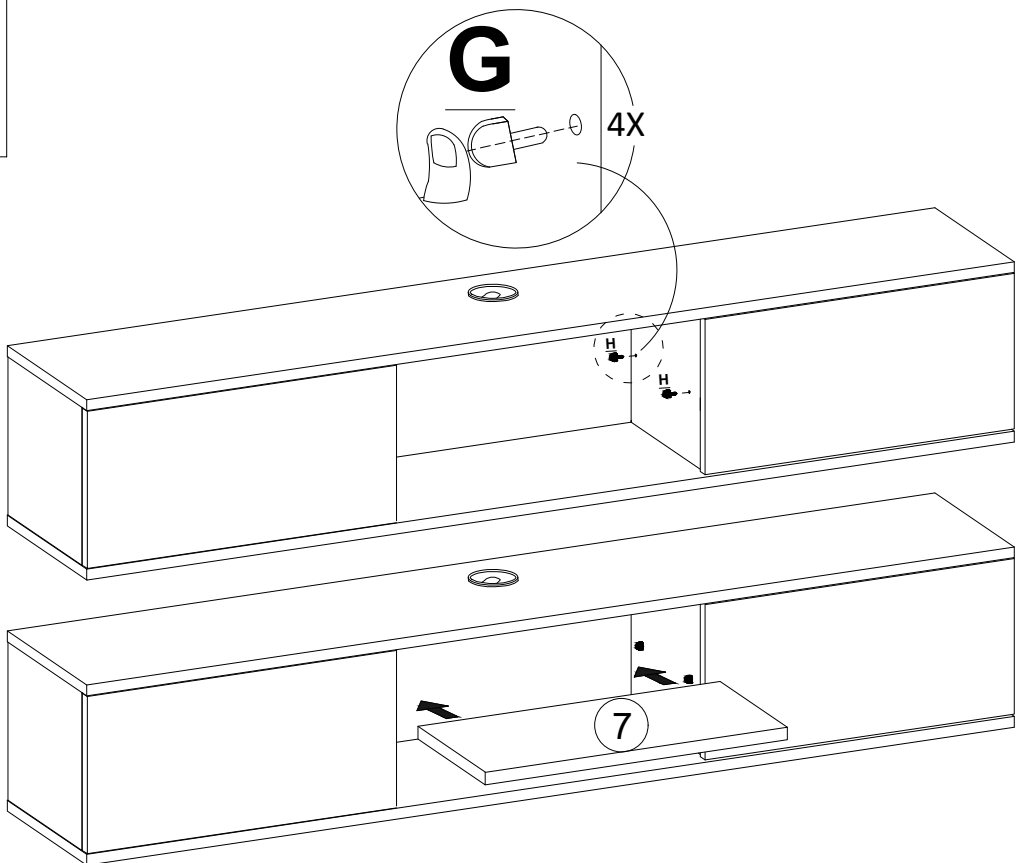
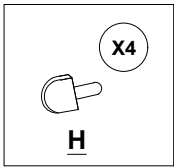
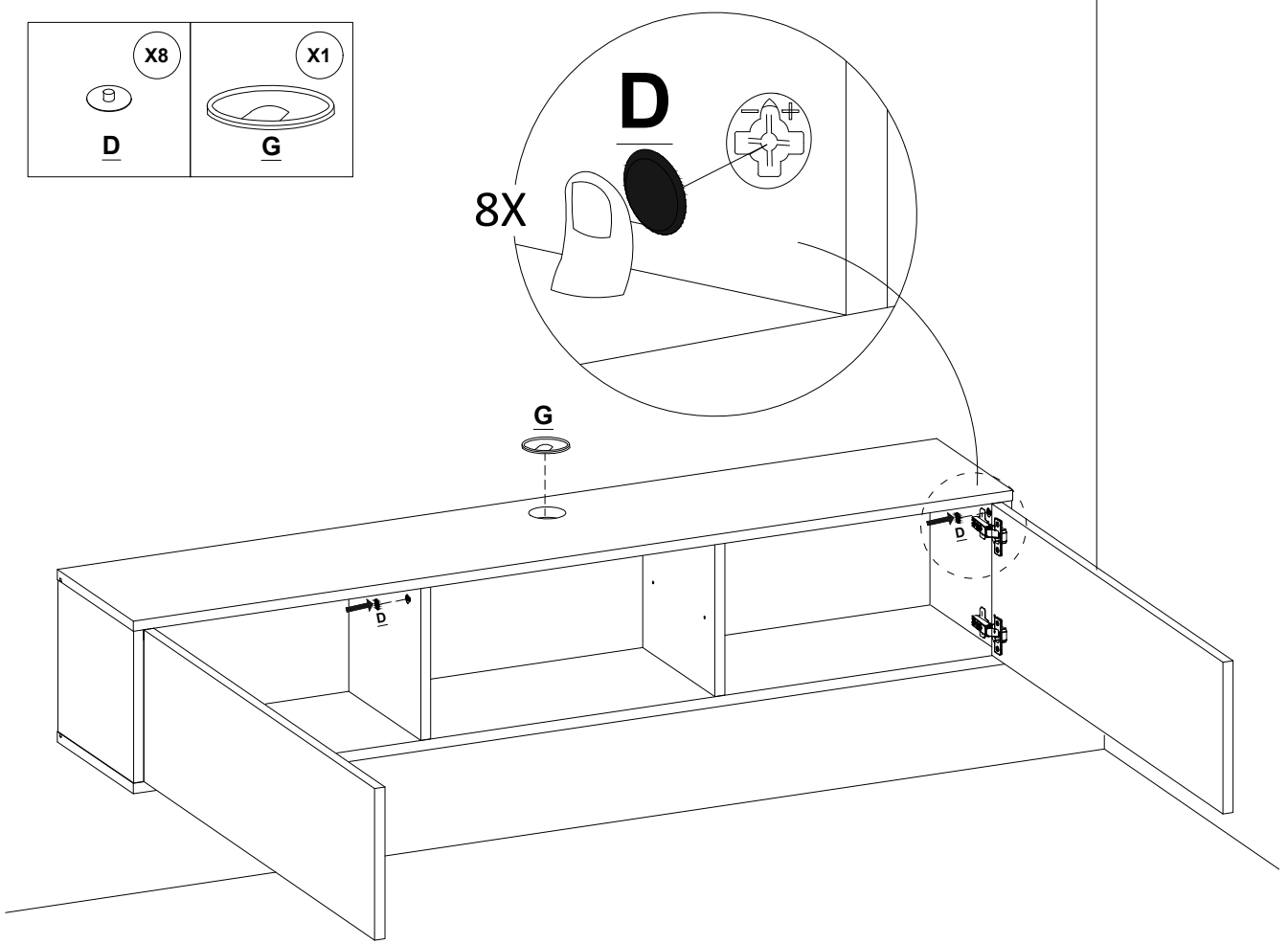
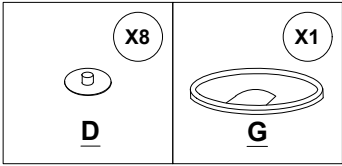


Back and Forth



Left-Right





Notes

A series of horizontal dotted lines for writing notes.