

STUDY





Español

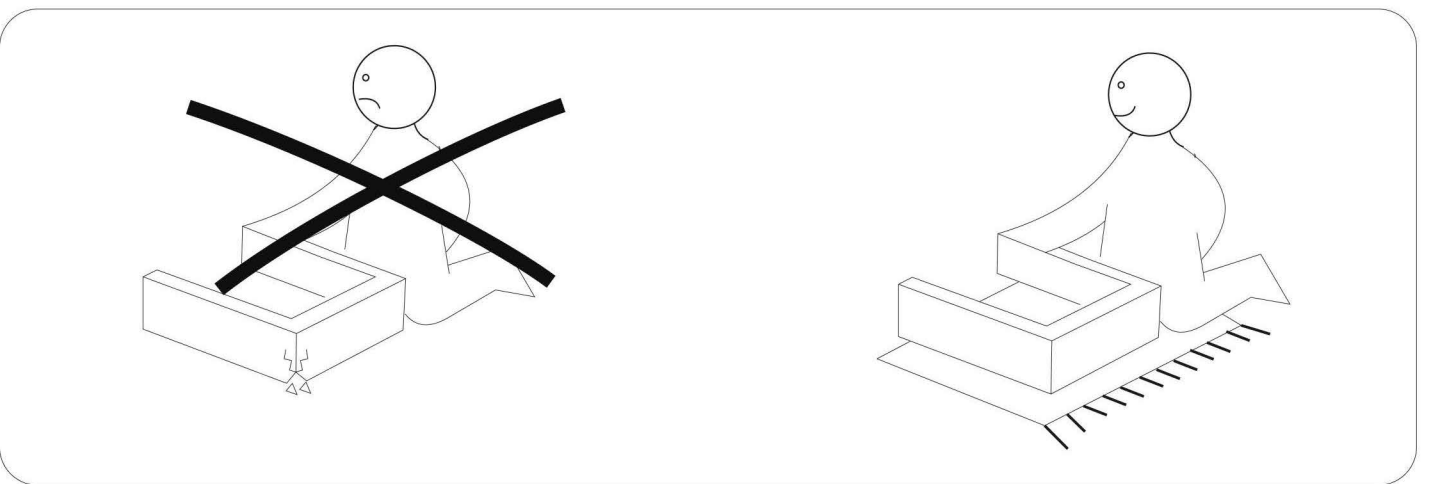
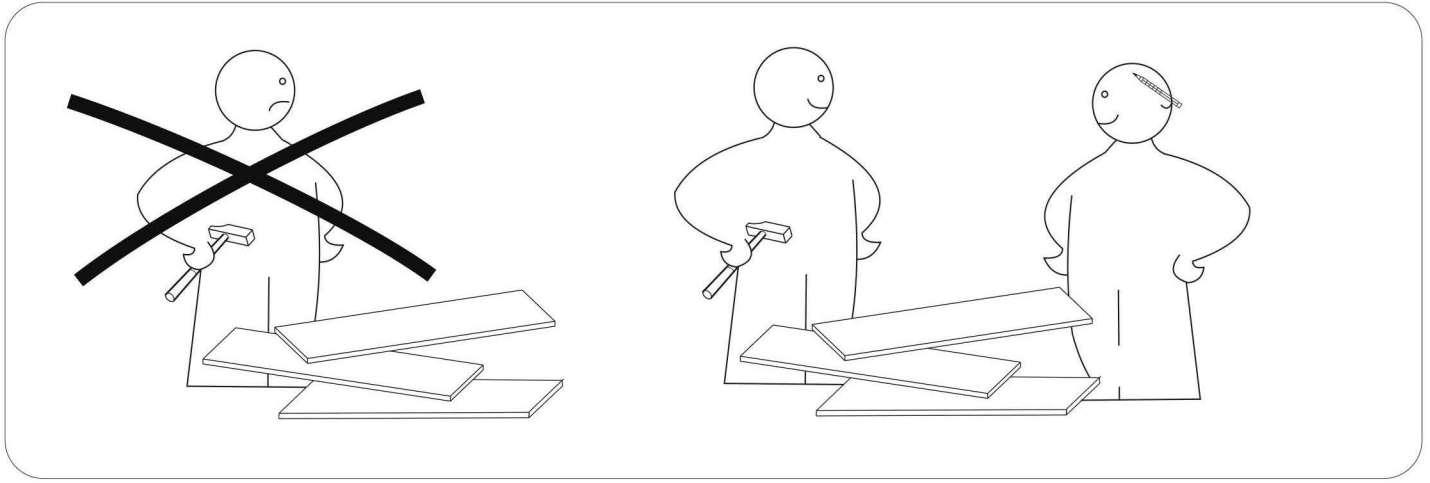
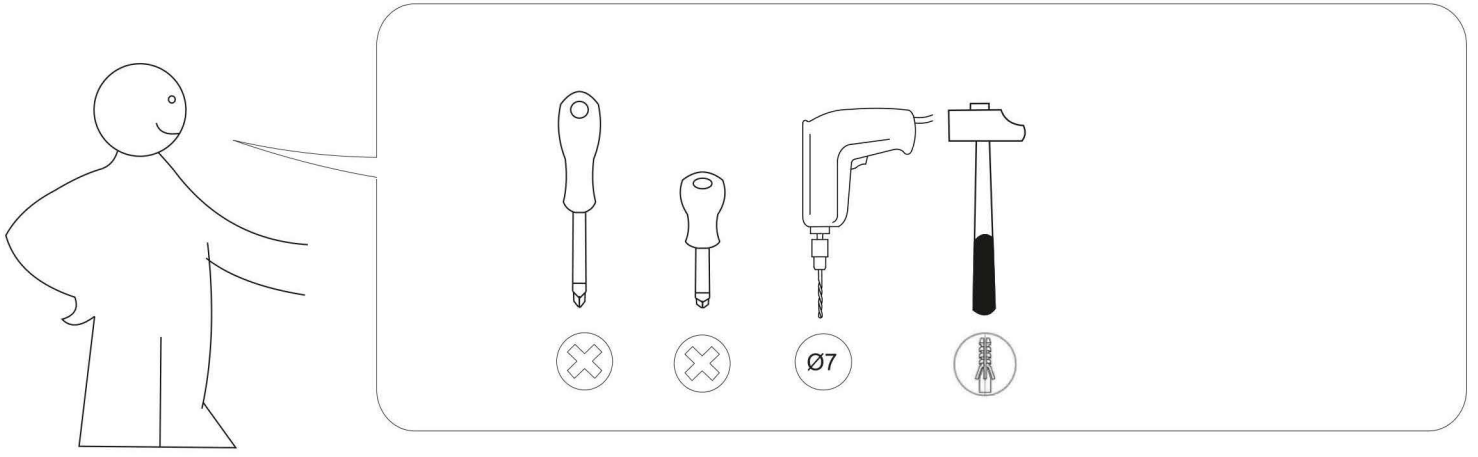
¡ADVERTENCIA!

Lesiones por aplastamiento graves o mortales puede ocurrir por la volcadura de muebles. Para evitar que se vuelque este mueble recomendamos encarecidamente su uso con el(los) dispositivo (s) de fijación a la pared proporcionar.



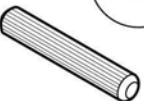







English

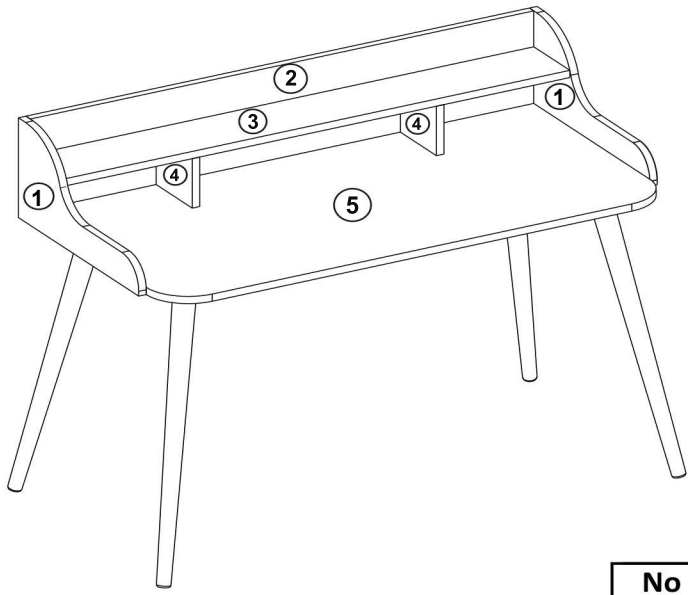
WARNING!

Serious or fatal crushing injuries can occur from furniture tip over. To prevent tip over this furniture we highly recommend to use with the wall attachment device(s) provided.



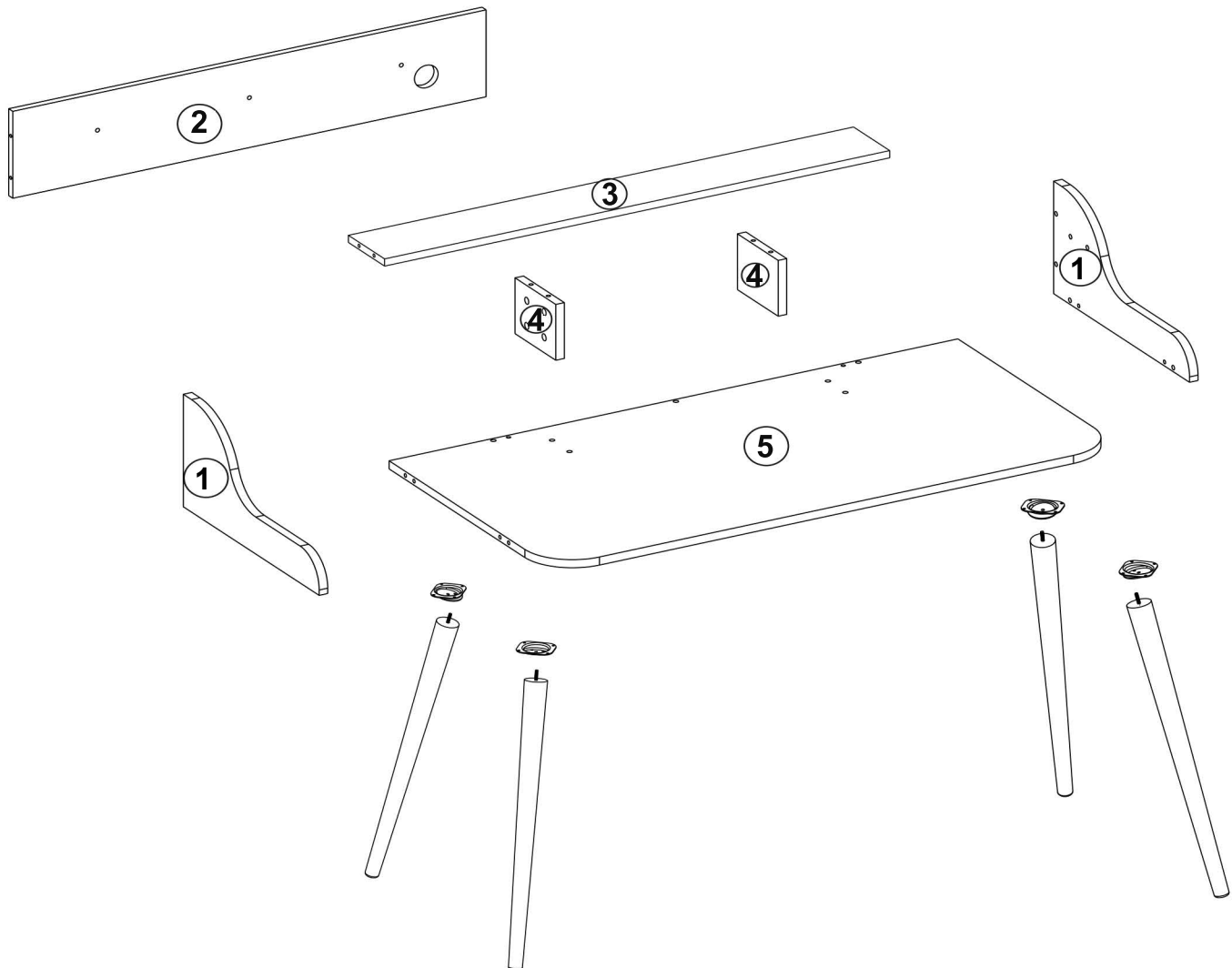
Assembly and User Guide

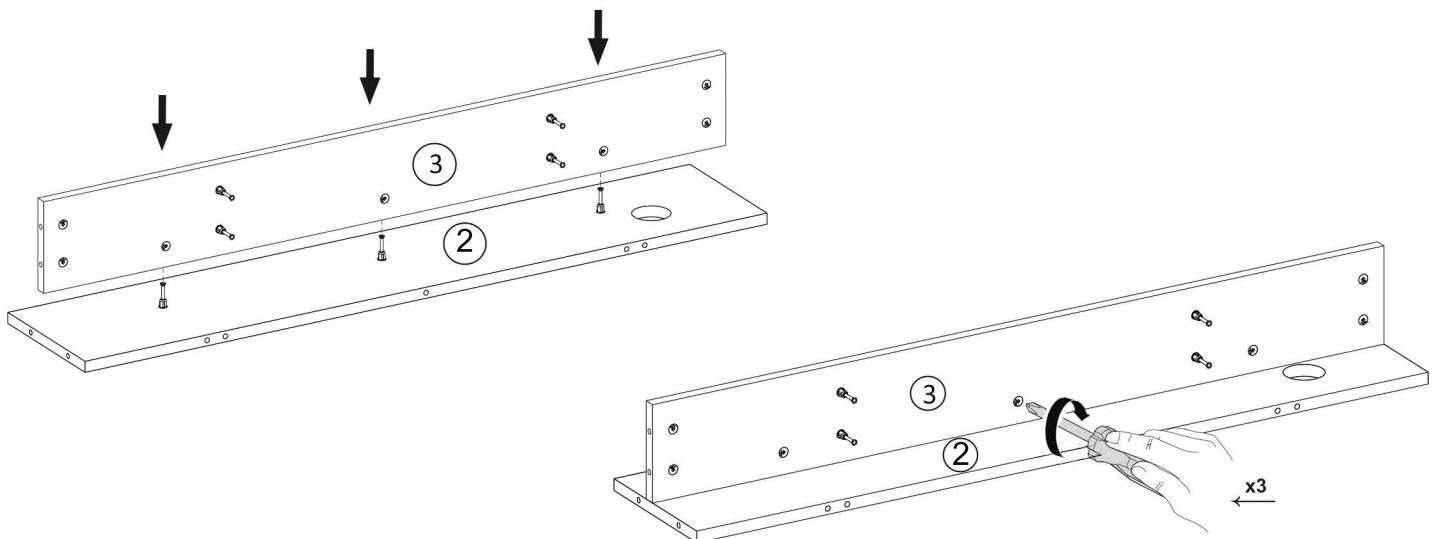
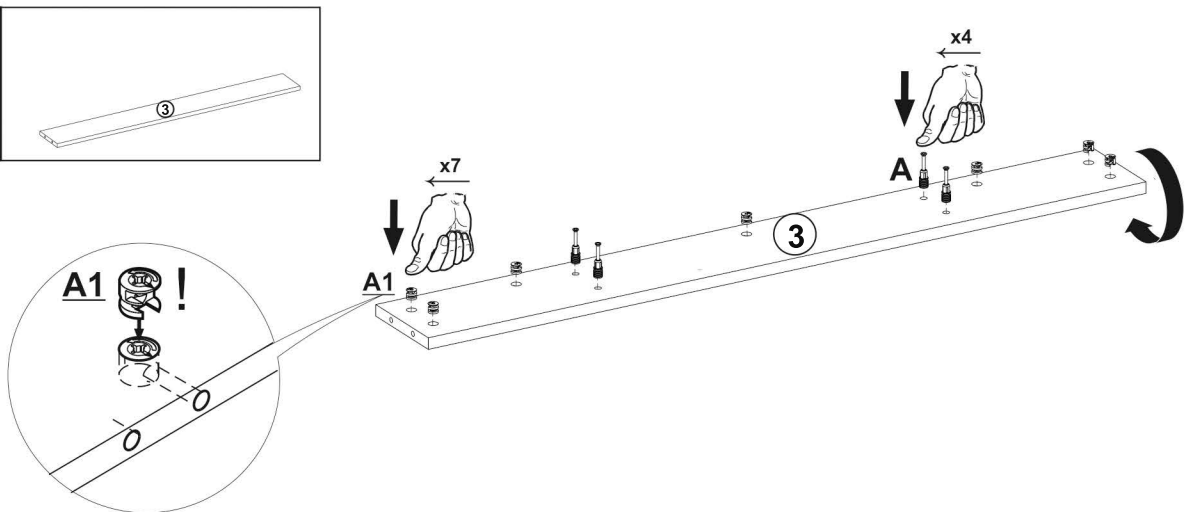
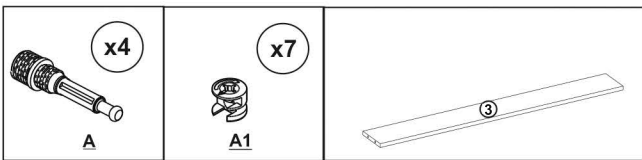
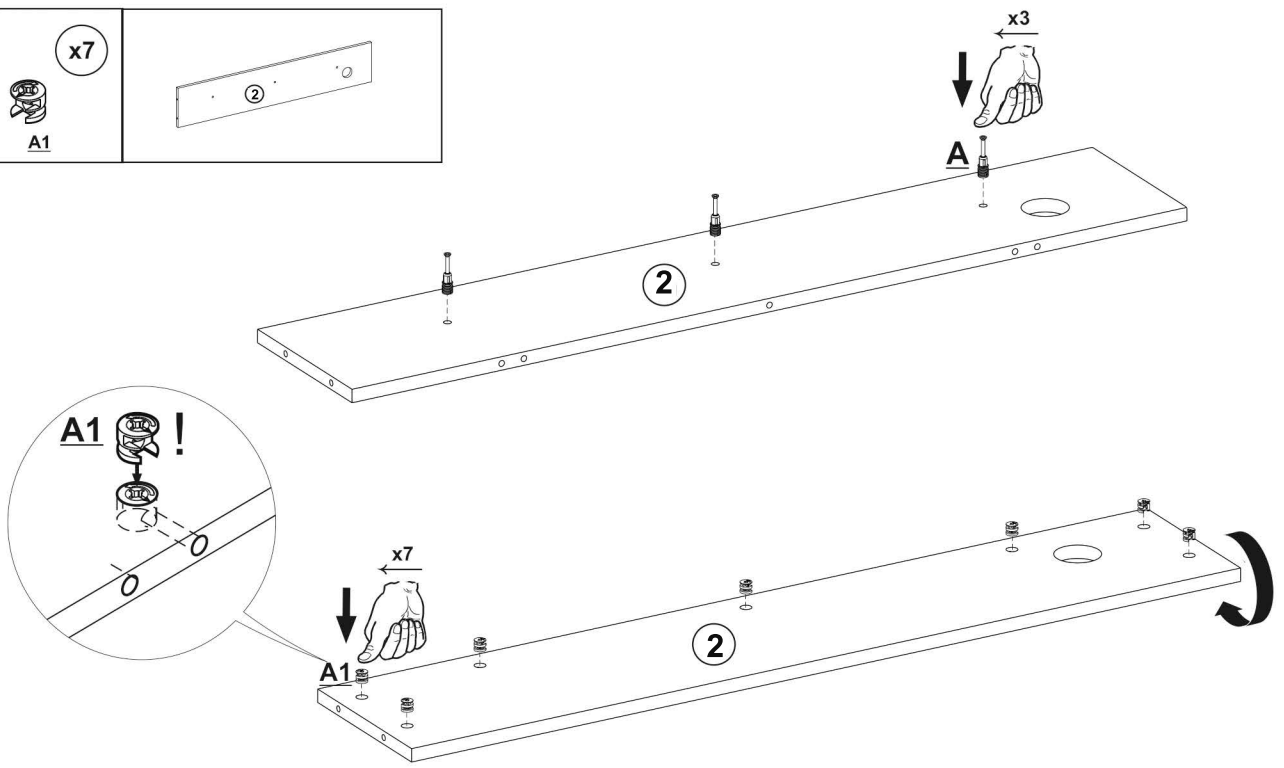
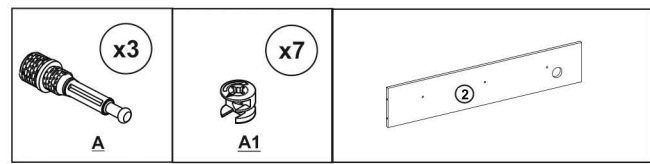
 <p>x26</p> <p>A</p>	 <p>x26</p> <p>A1</p>	 <p>x6</p> <p>B</p>	 <p>x26</p> <p>C</p>	 <p>x16</p> <p>D</p>
 <p>x8</p> <p>E</p>	 <p>x4</p> <p>F</p>	 <p>x4</p> <p>F1</p>	 <p>x1</p> <p>H</p>	 <p>x1</p> <p>L</p>

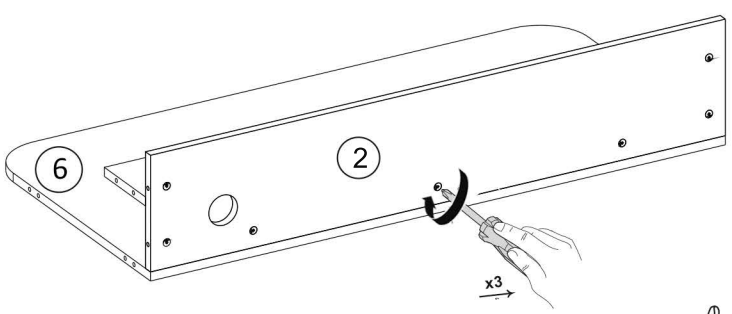
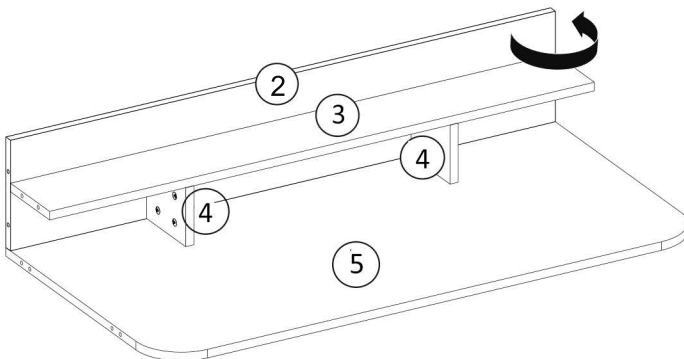
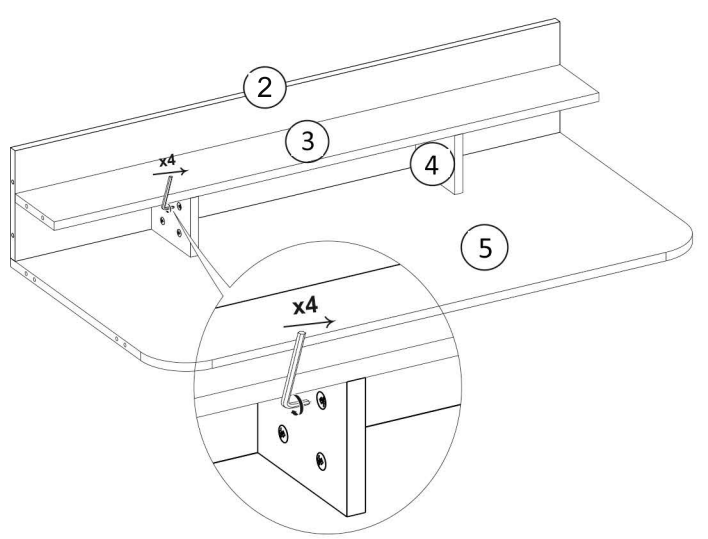
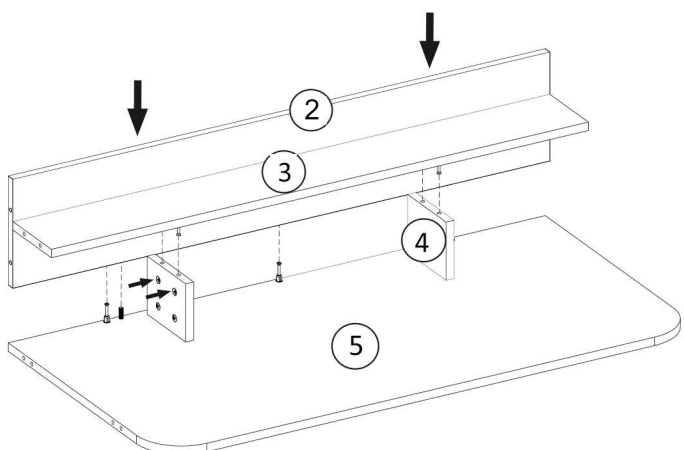
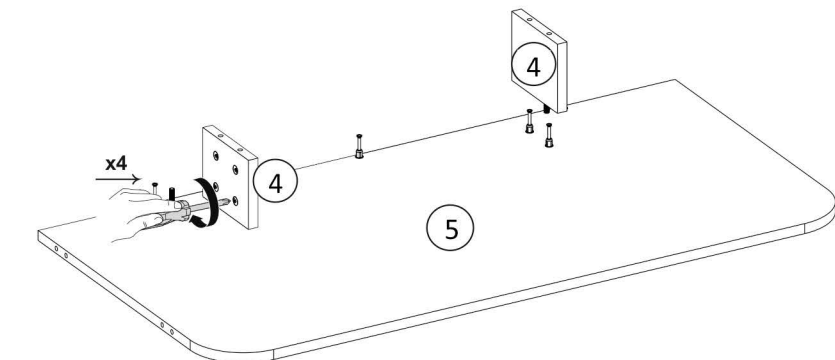
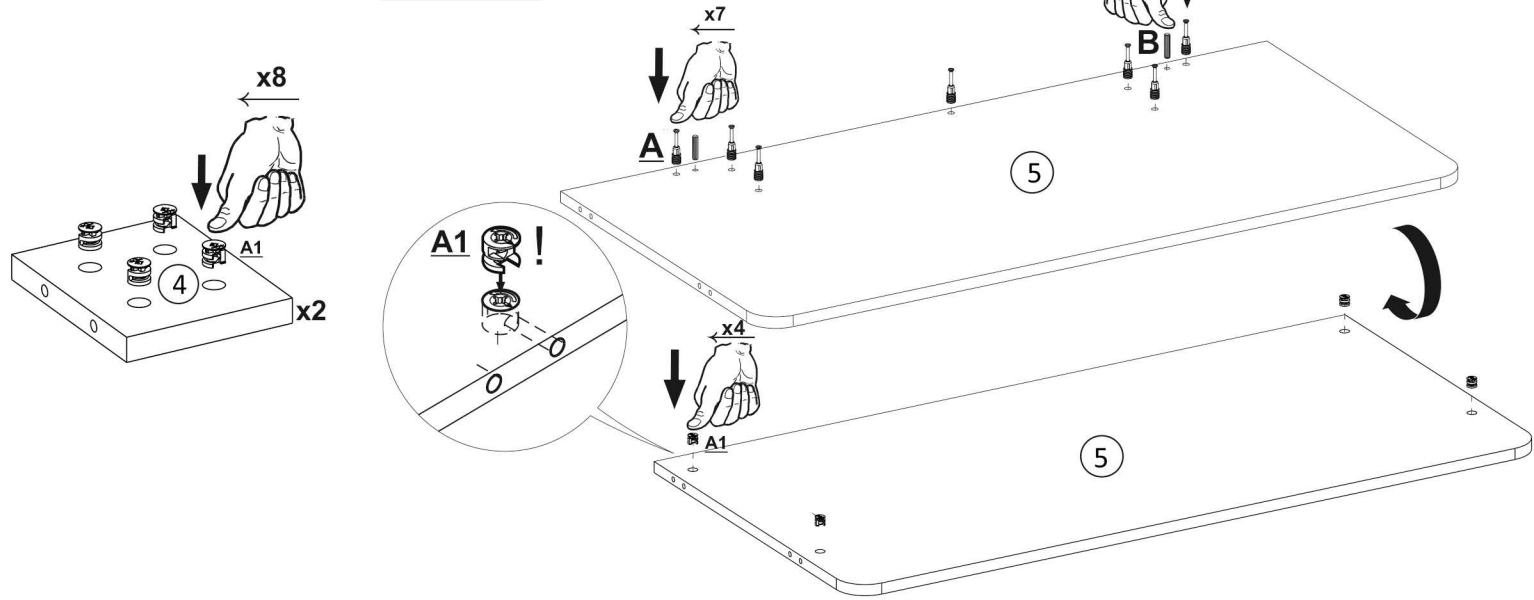
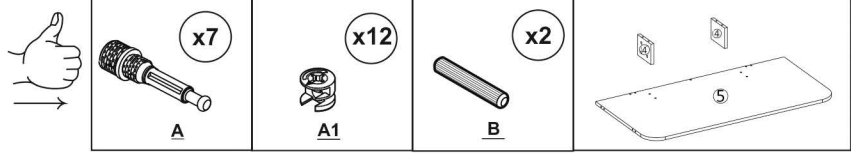


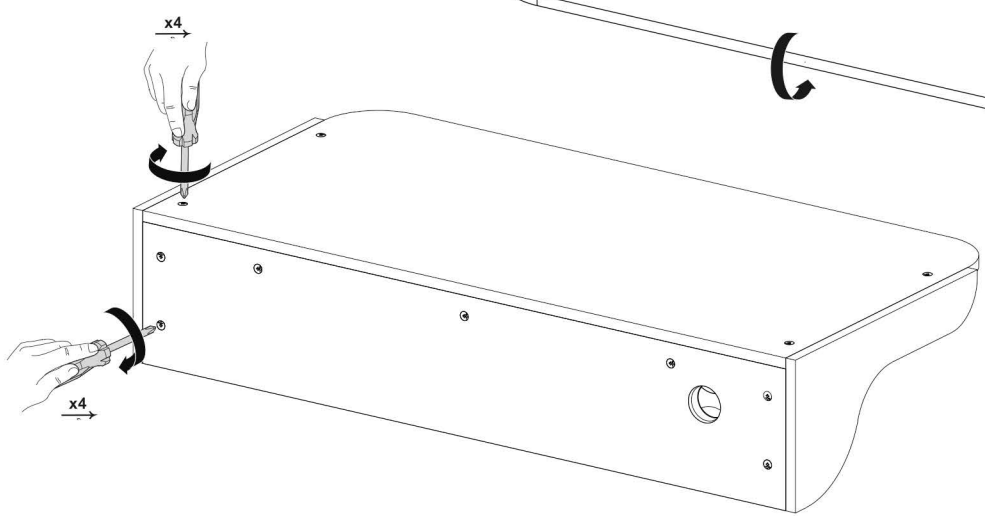
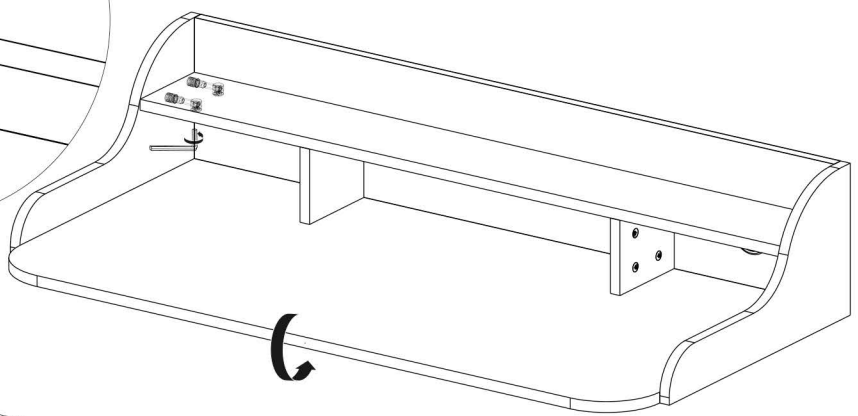
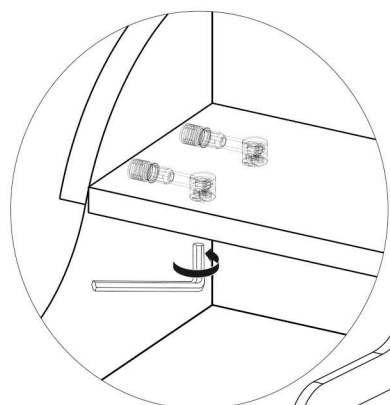
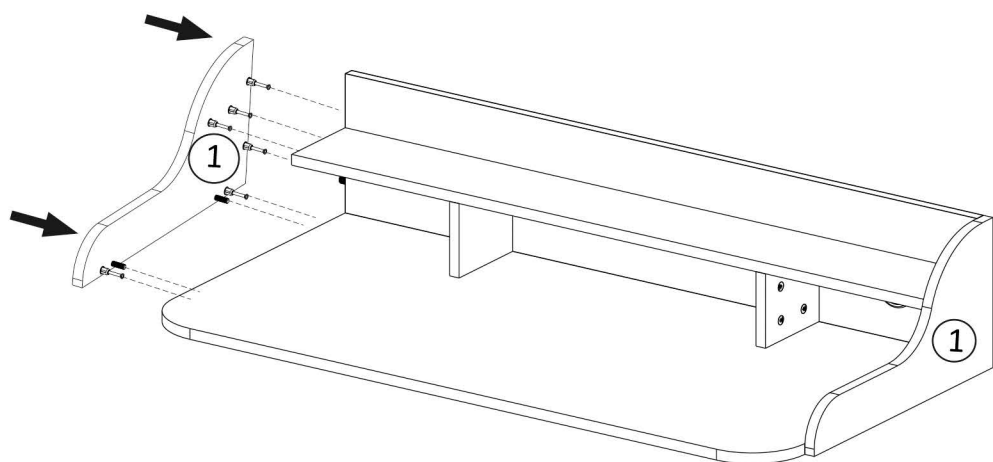
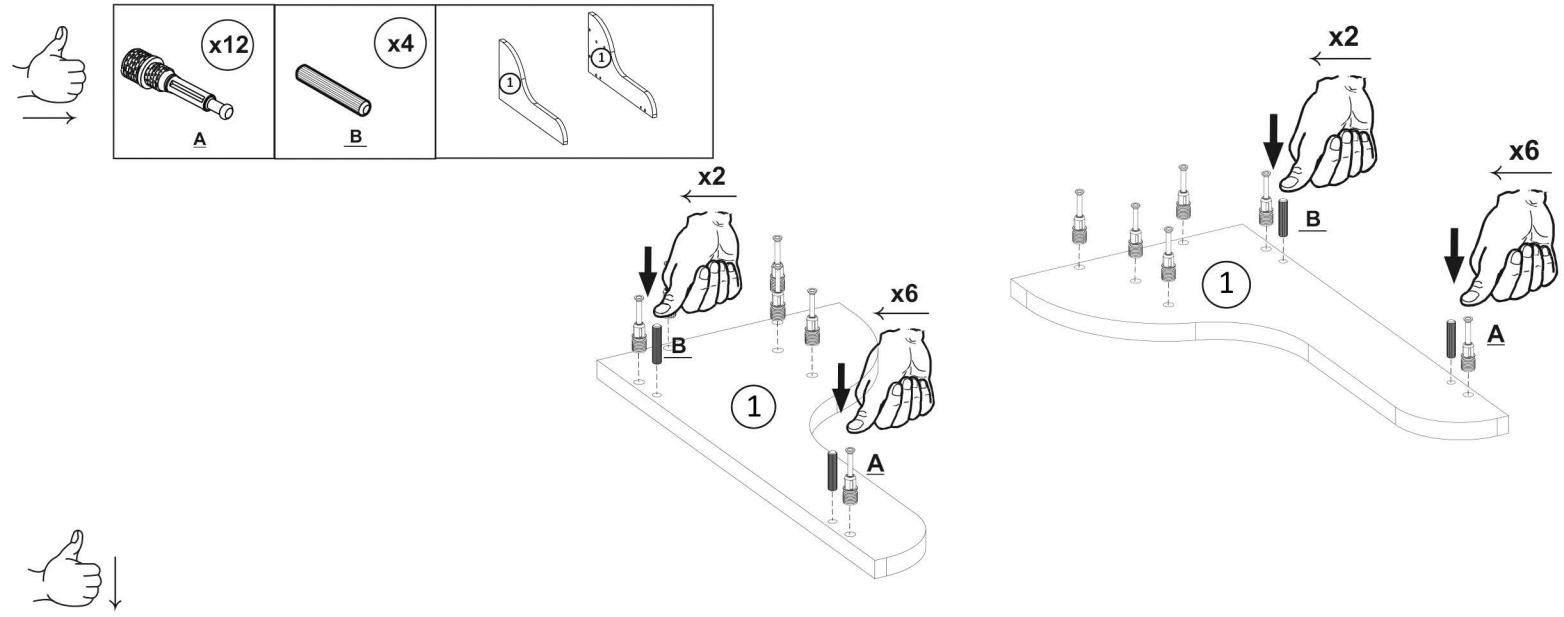
Parts

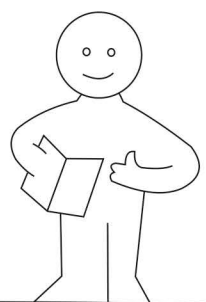
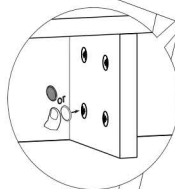
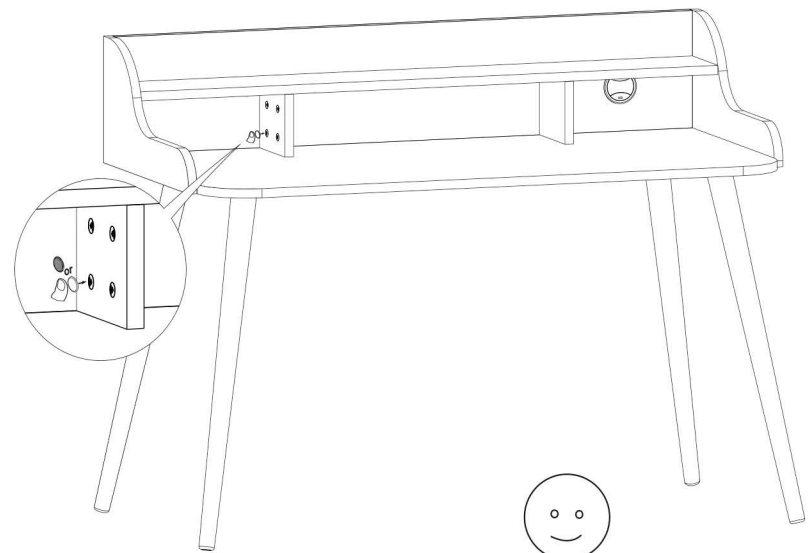
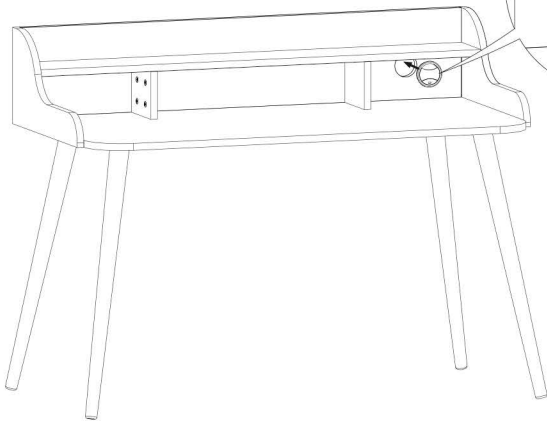
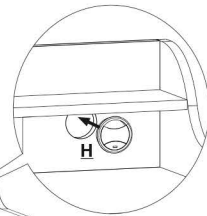
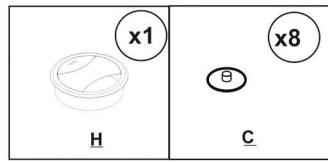
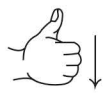
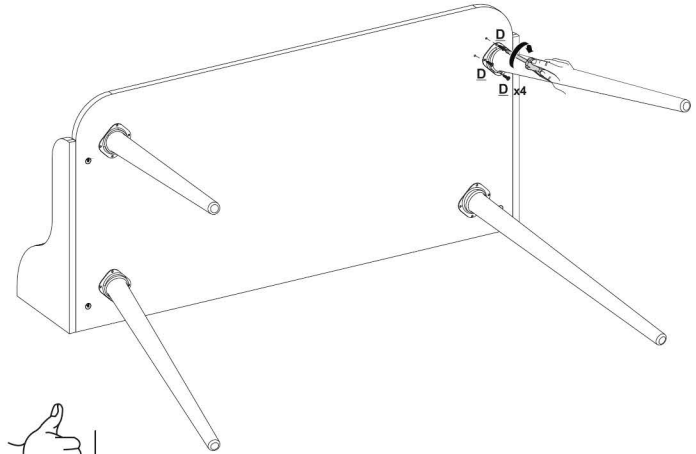
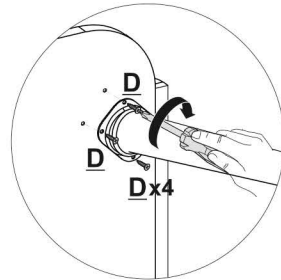
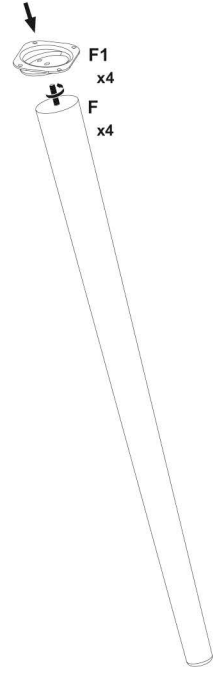
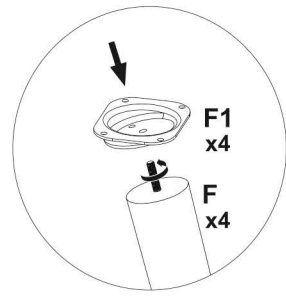
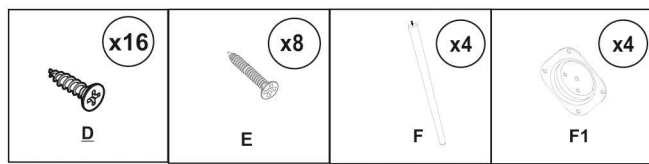
No	a*b(mm)	a*b(inches)	x
1	500X350	19 5/8x13 3/4	2x
2	1200x232	47 1/4x9 1/8	1x
3	1200x150	47 1/4x5 7/8	1x
4	150x124	5 7/8x4 7/8	2x
5	1200x600	47 1/4x23 5/8	1x











A series of horizontal dotted lines for writing notes.

A series of horizontal dotted lines for writing notes.

STUDY

