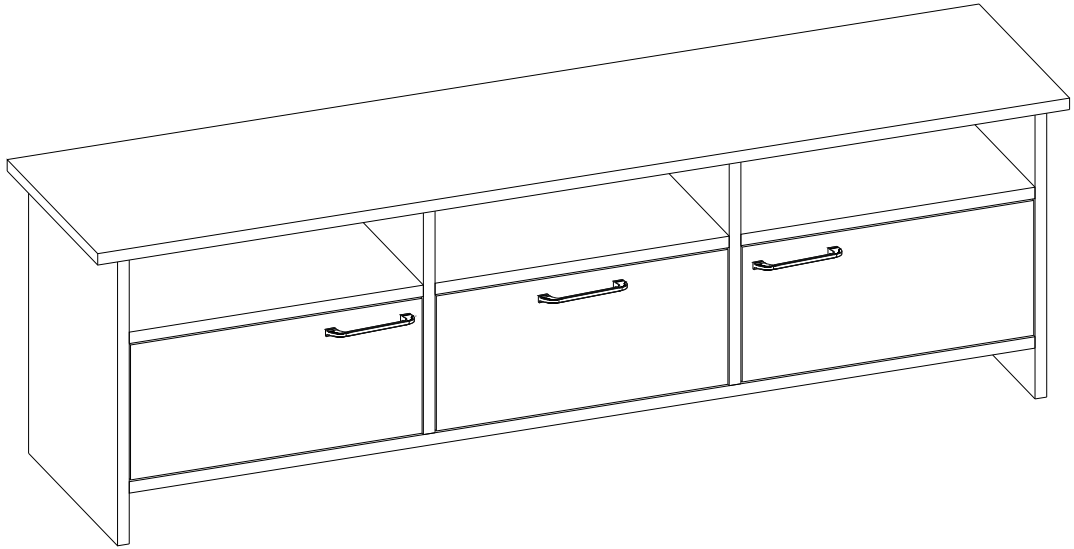
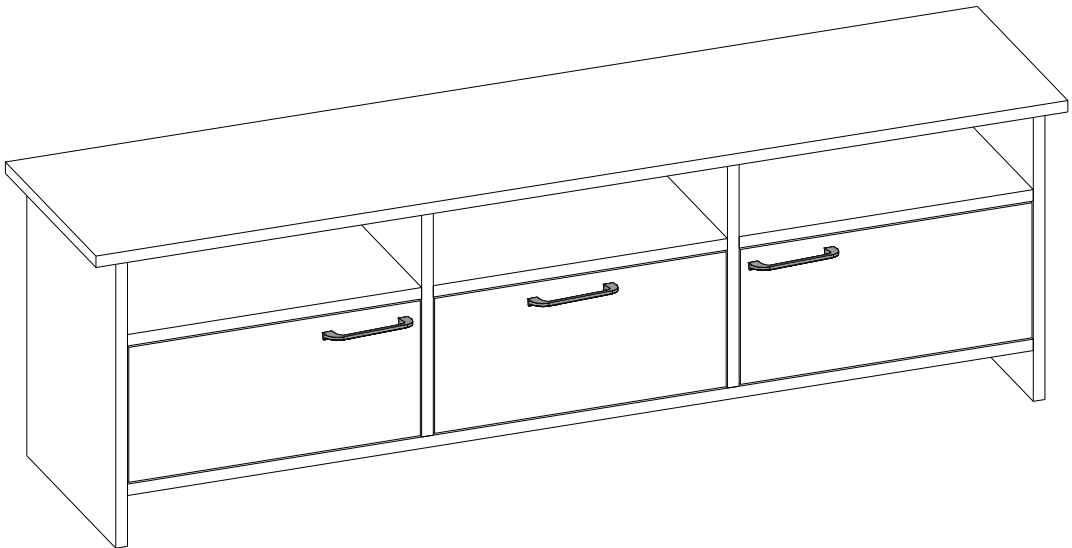


OSLON



...OR...





Español

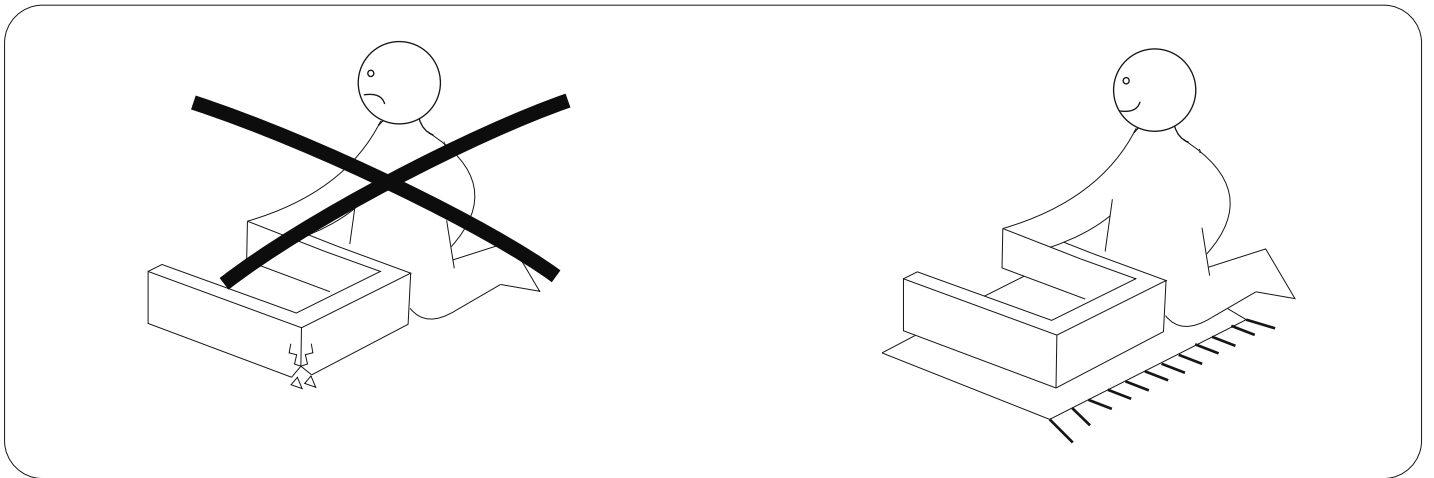
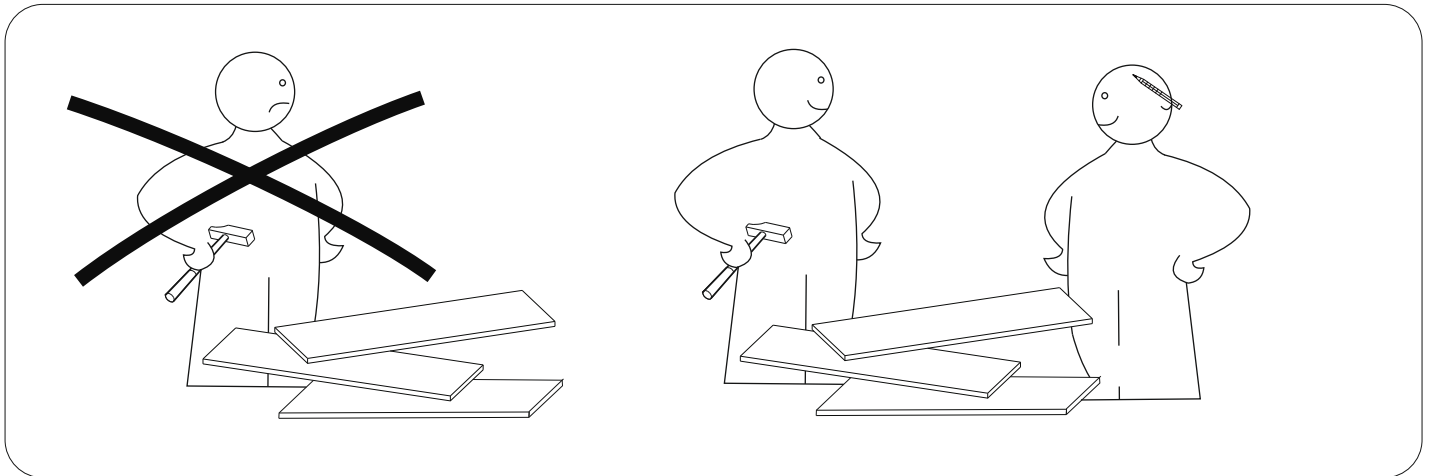
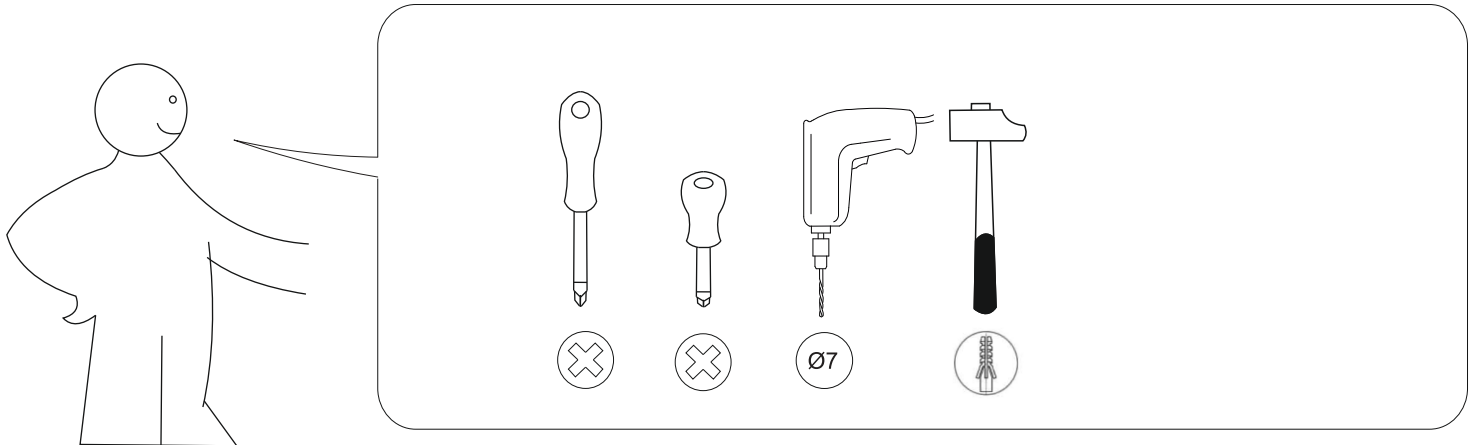
¡ADVERTENCIA!

Lesiones por aplastamiento graves o mortales puede ocurrir por la volcadura de muebles. Para evitar que se vuelque este mueble recomendamos encarecidamente su uso con el(los) dispositivo (s) de fijación a la pared proporcionar.

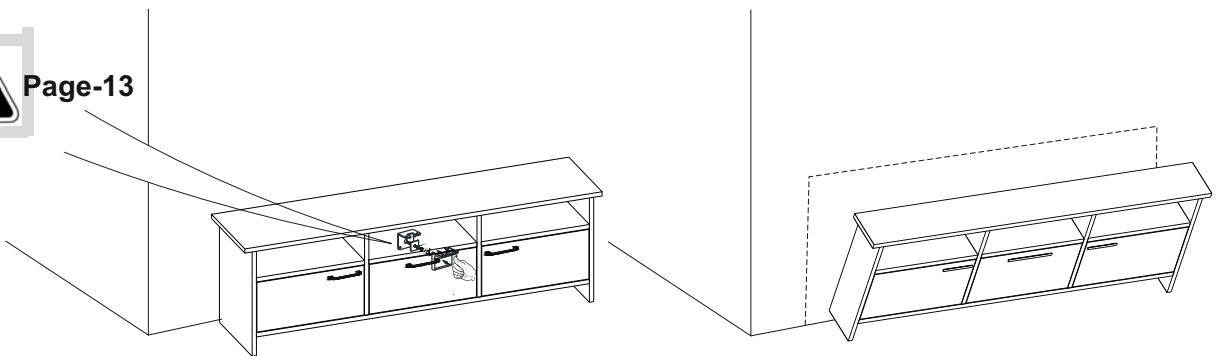
English

WARNING!

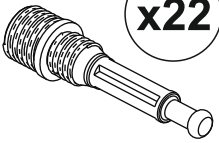

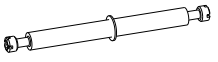
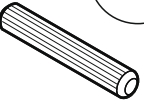
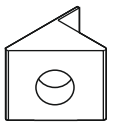
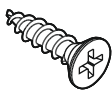


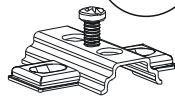
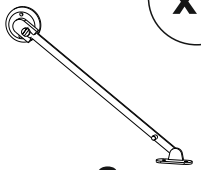

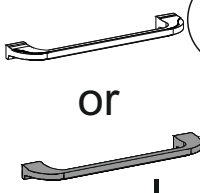
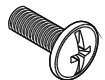
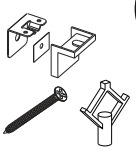
Serious or fatal crushing injuries can occur from furniture tip over. To prevent tip over this furniture we highly recommend to use with the wall attachment device(s) provided.

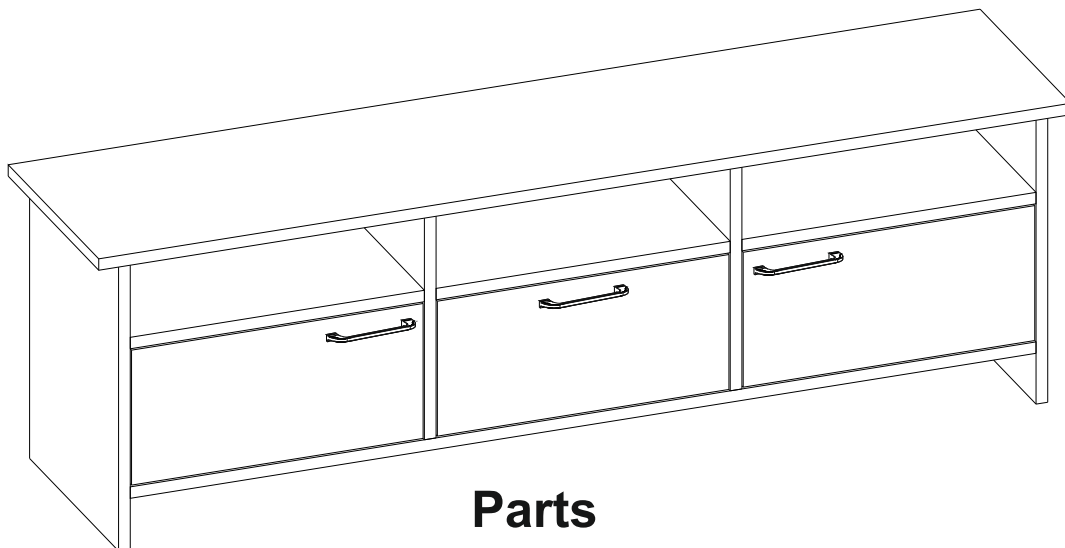


Page-13



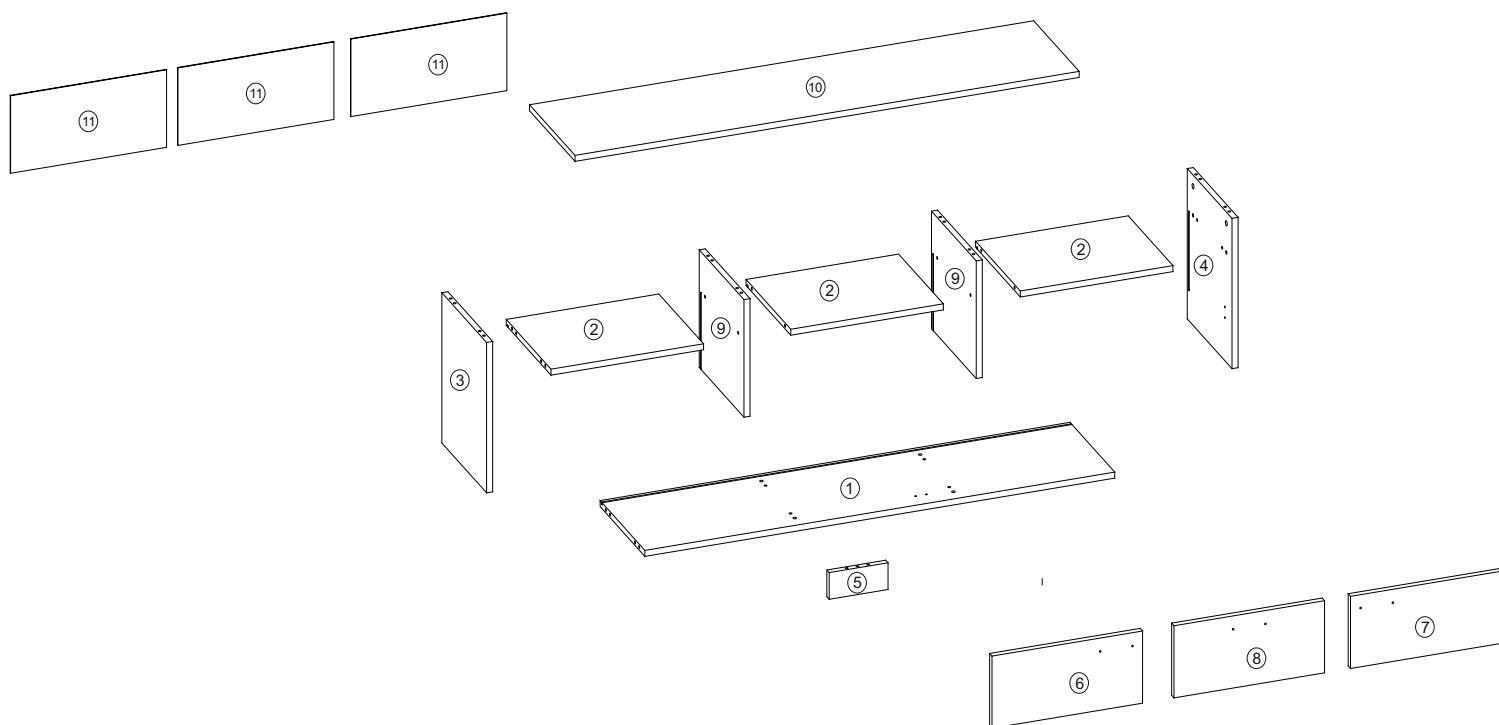
Assembly and User Guide

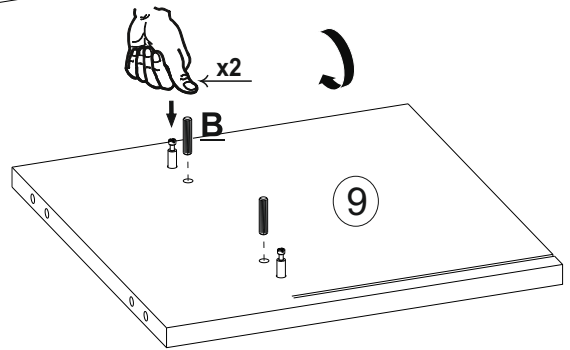
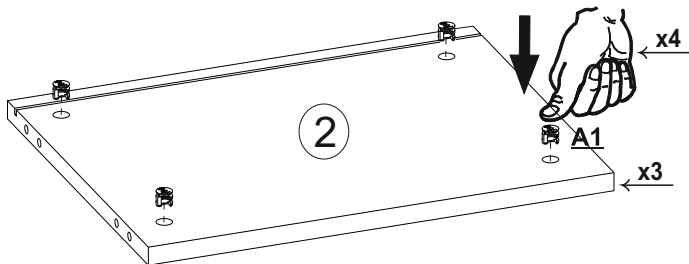
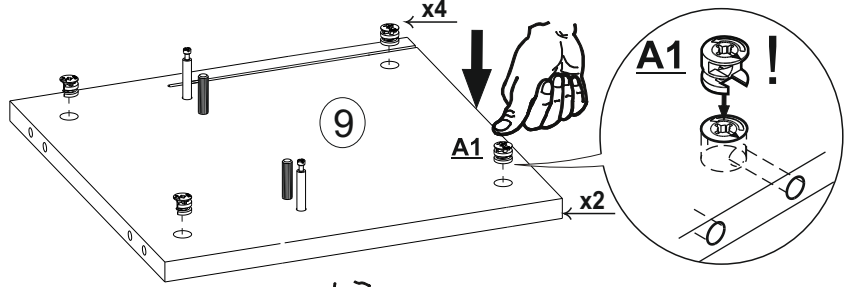
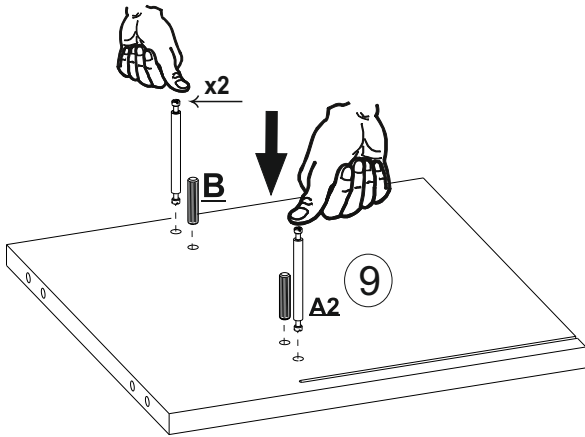
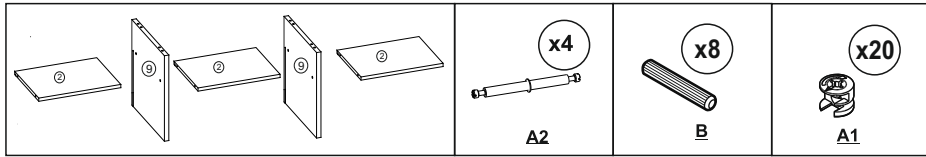
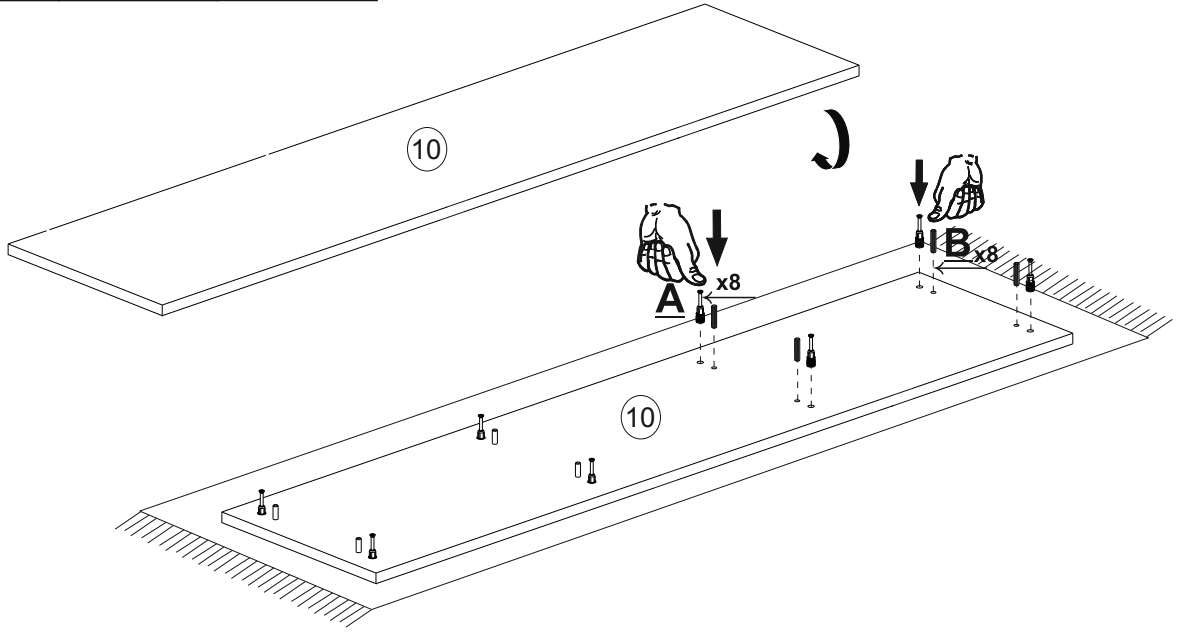
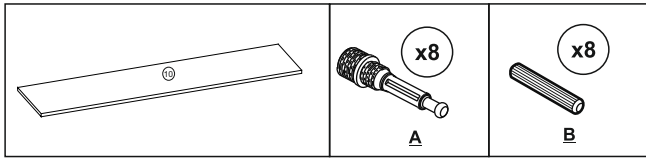
 <p>x22</p> <p>A</p>	 <p>x30</p> <p>A1</p>	 <p>x4</p> <p>A2</p>	 <p>x30</p> <p>B</p>	 <p>x12</p> <p>C</p>
 <p>x45</p> <p>D</p>	 <p>x30</p> <p>E</p>	 <p>x6</p> <p>F</p>	 <p>x6</p> <p>F1</p>	 <p>x1</p> <p>G</p>
 <p>x6</p> <p>H</p>	 <p>x3</p> <p>or</p> <p>I</p>	 <p>x6</p> <p>I1</p>	 <p>x1</p> <p>J</p>	

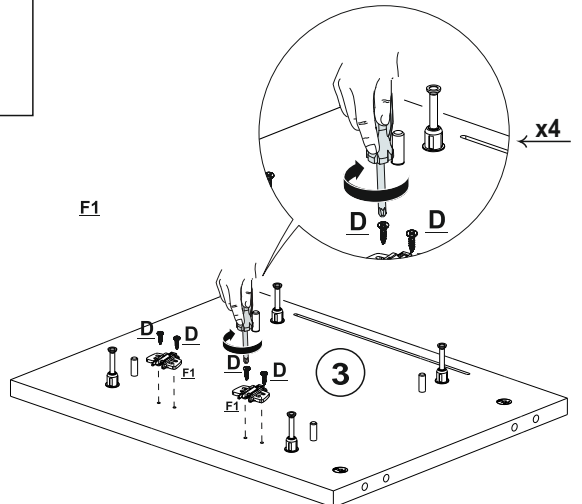
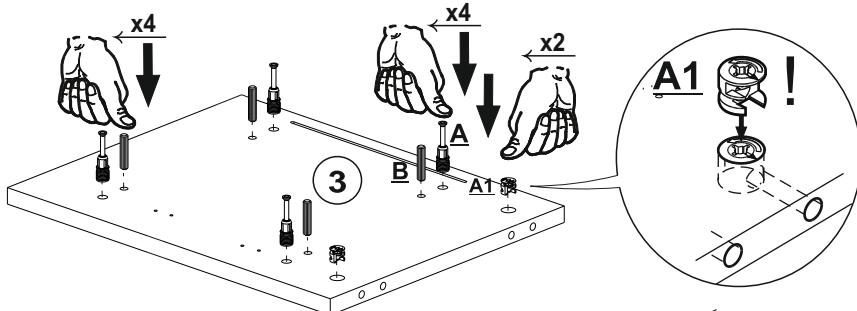
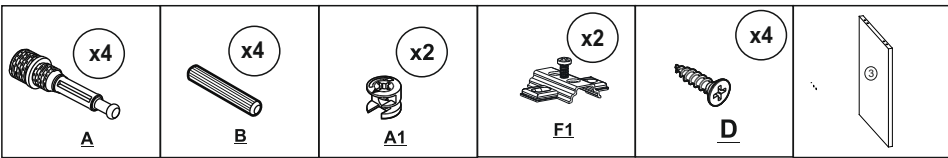
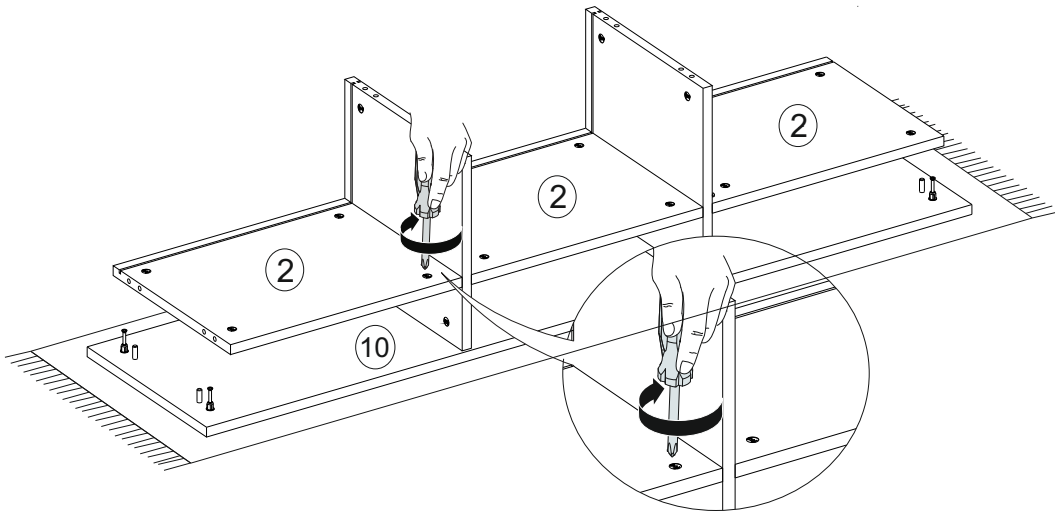
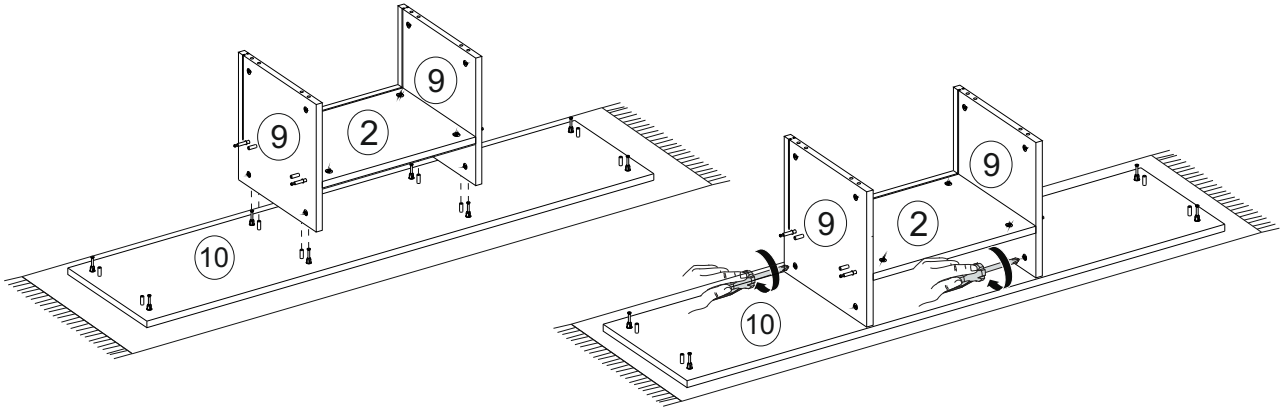
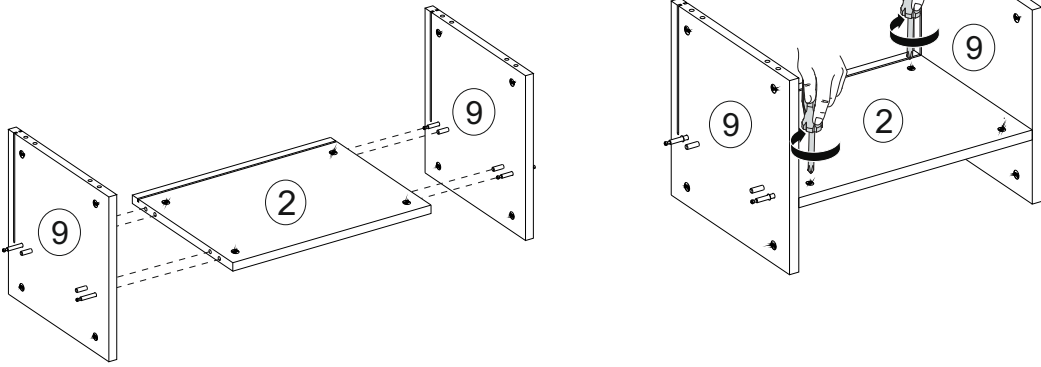


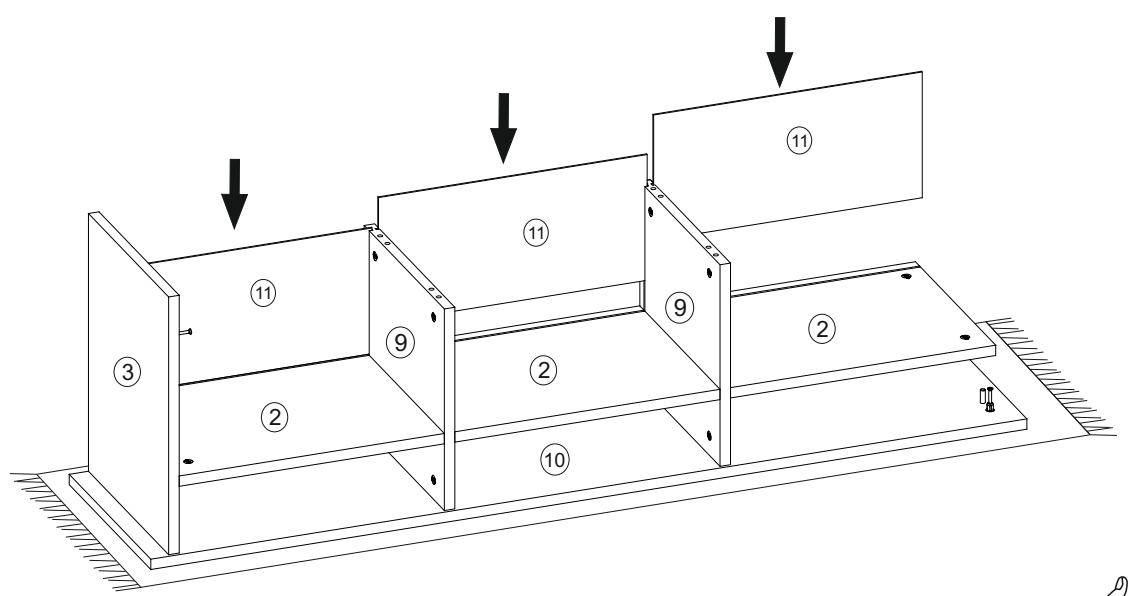
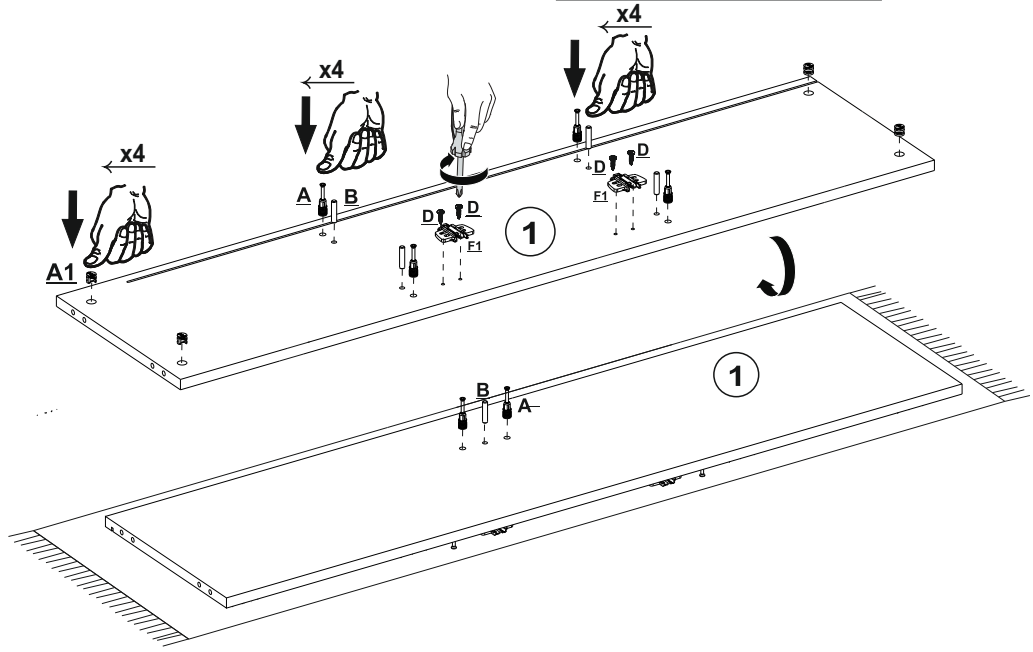
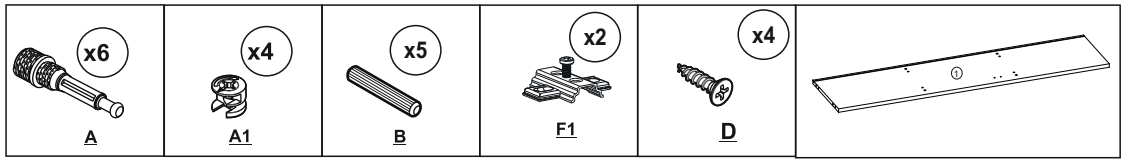
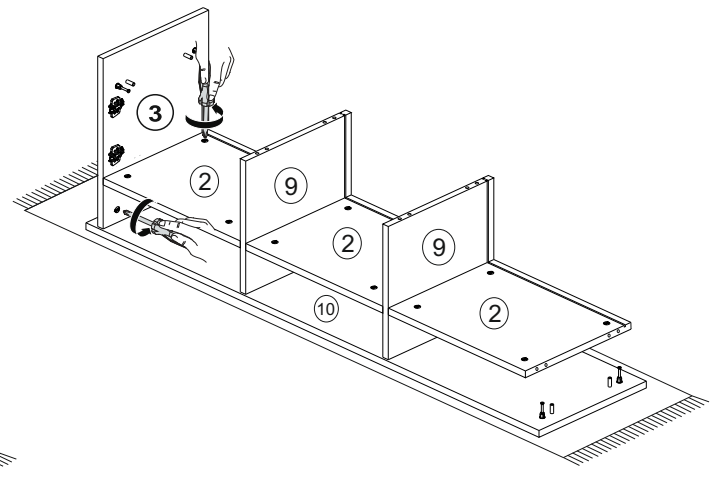
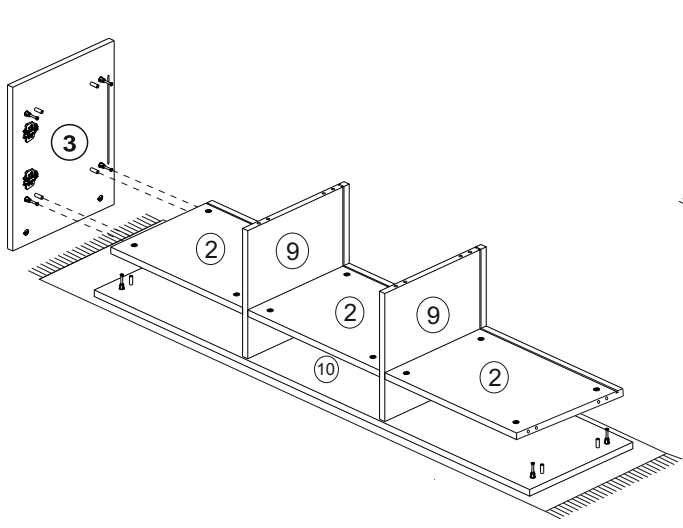
Parts

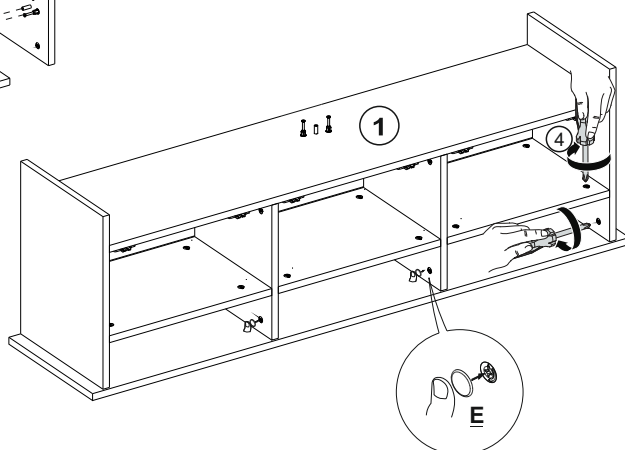
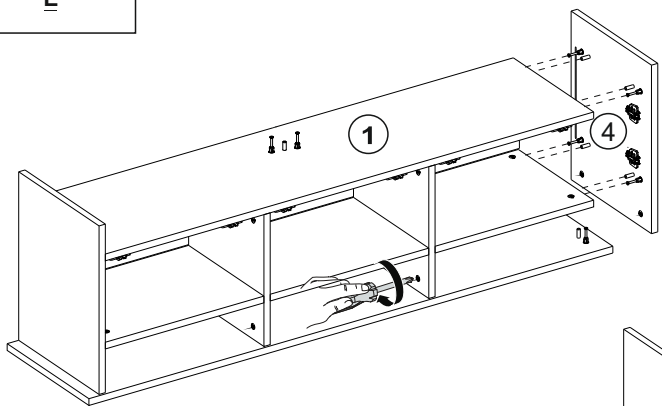
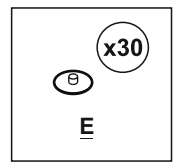
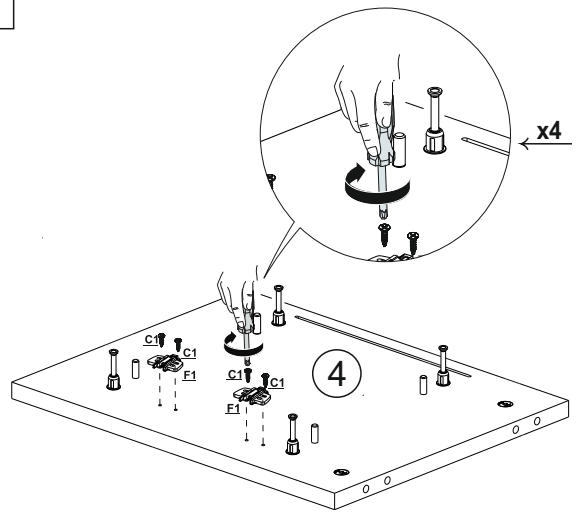
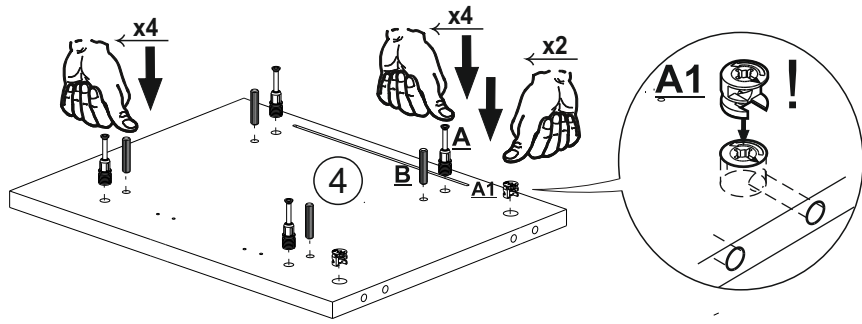
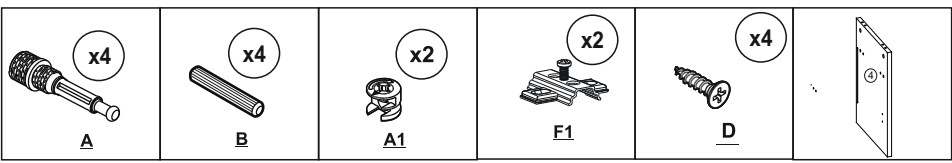
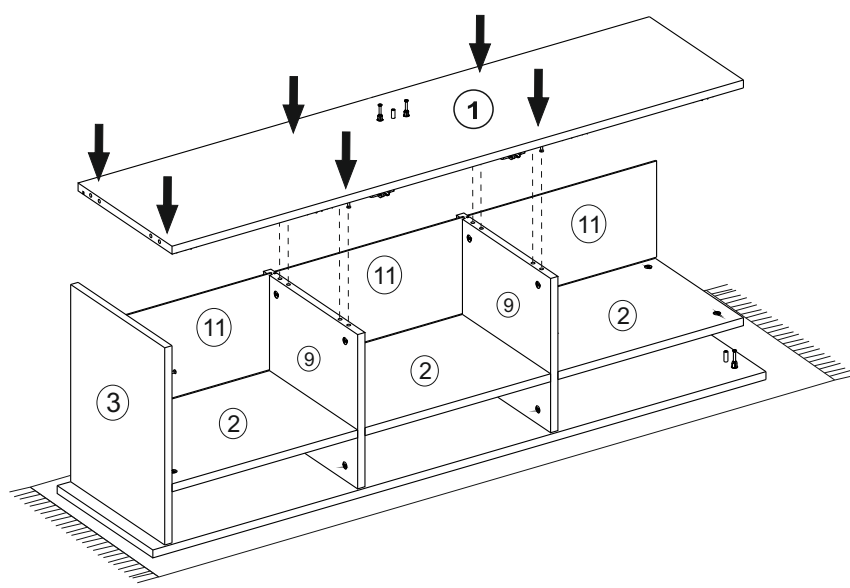
No	a*b(mm)	a*b(inches)	x
1	1398x344	55x13 1/2	1x
2	454x344	17 7/8x13 1/2	3x
3	450x344	17 3/4x13 1/2	1x
4	450x344	17 3/4x13 1/2	1x
5	175x80	6 7/8x3 1/8	1x
6	216x448	8 1/2x17 5/8	1x
7	216x448	8 1/2x17 5/8	1x
8	216x448	8 1/2x17 5/8	1x
9	352x344	13 7/8x13 1/2	2x
10	1500x350	59x13 3/4	1x
11	464x232	18 1/4x9 1/8	3x

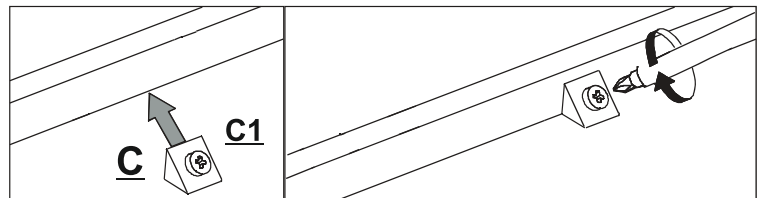
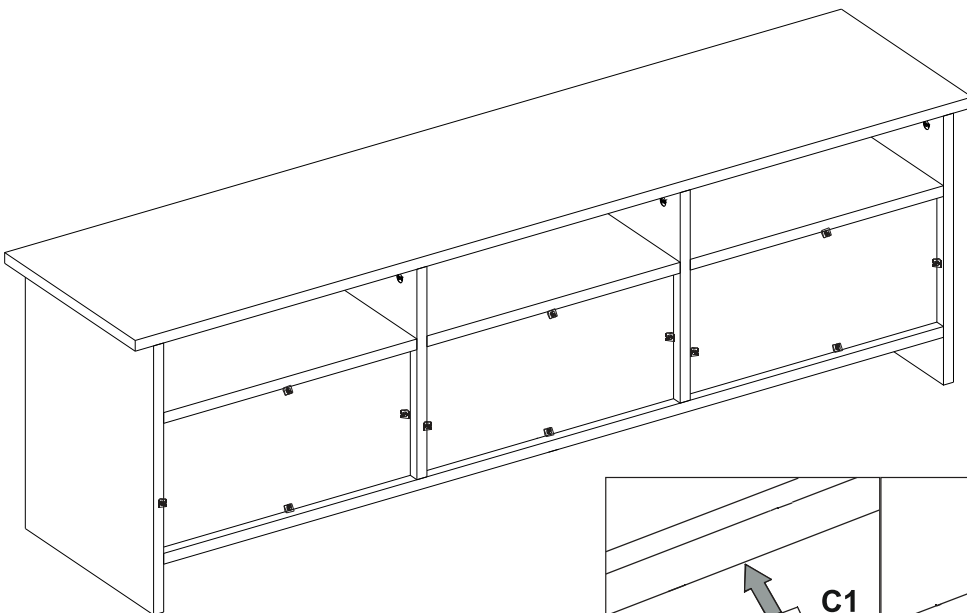
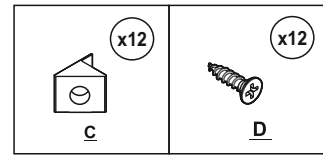
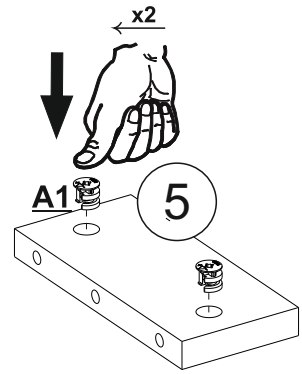
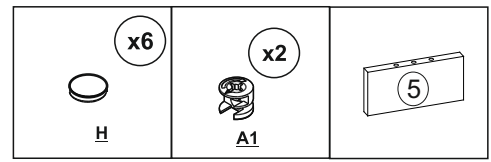
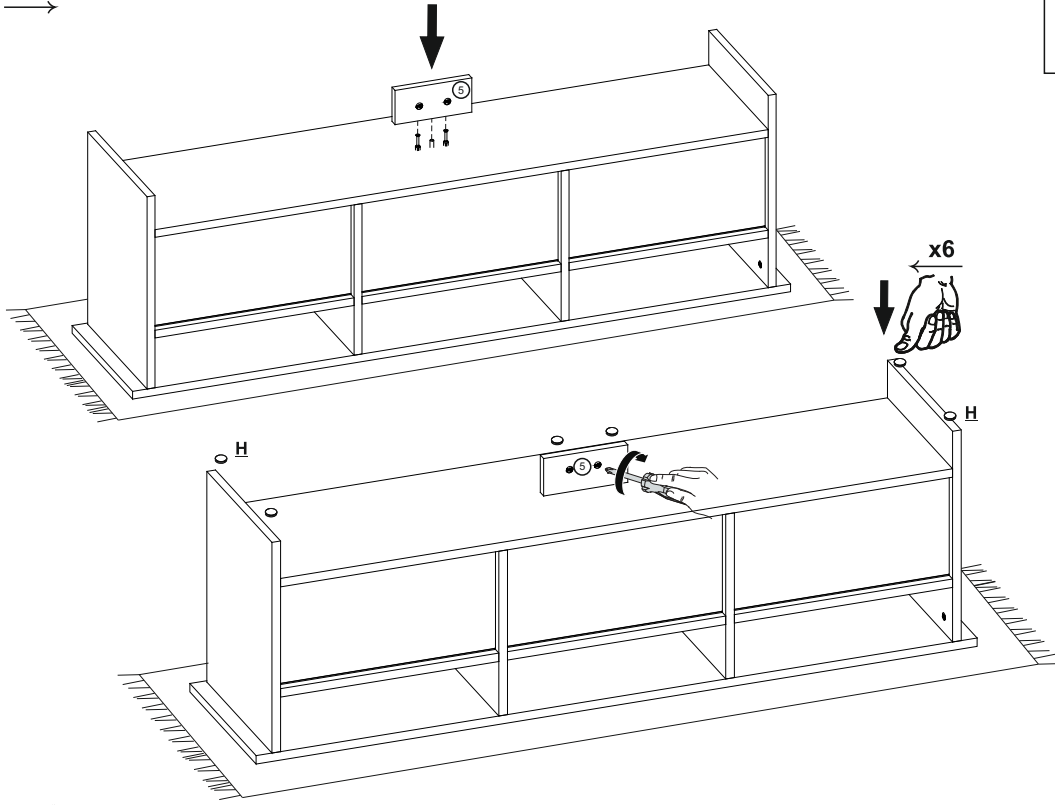


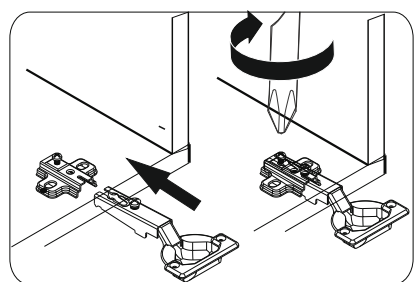
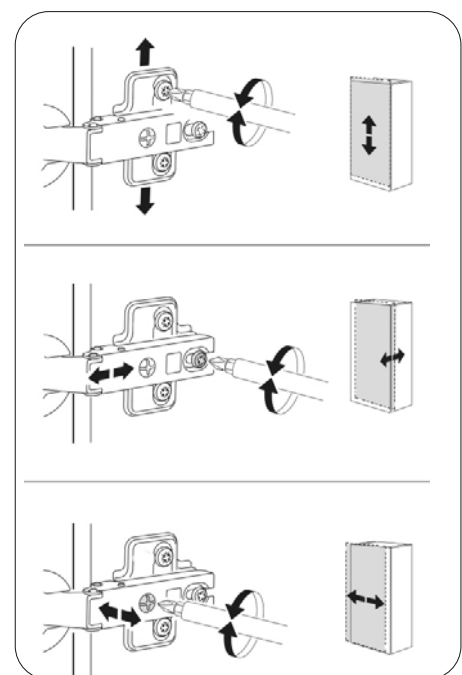
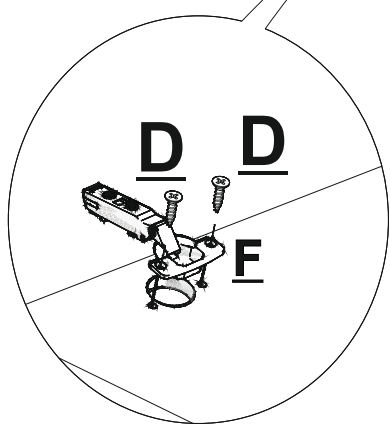
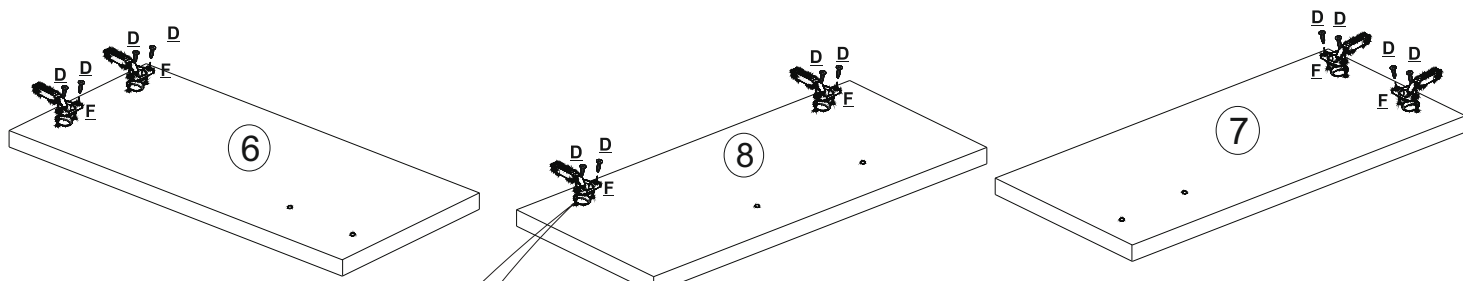
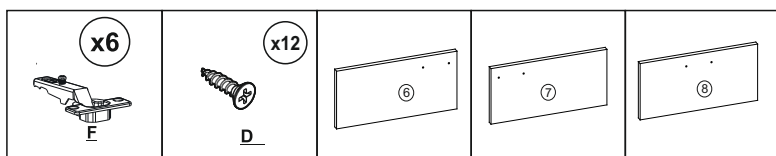
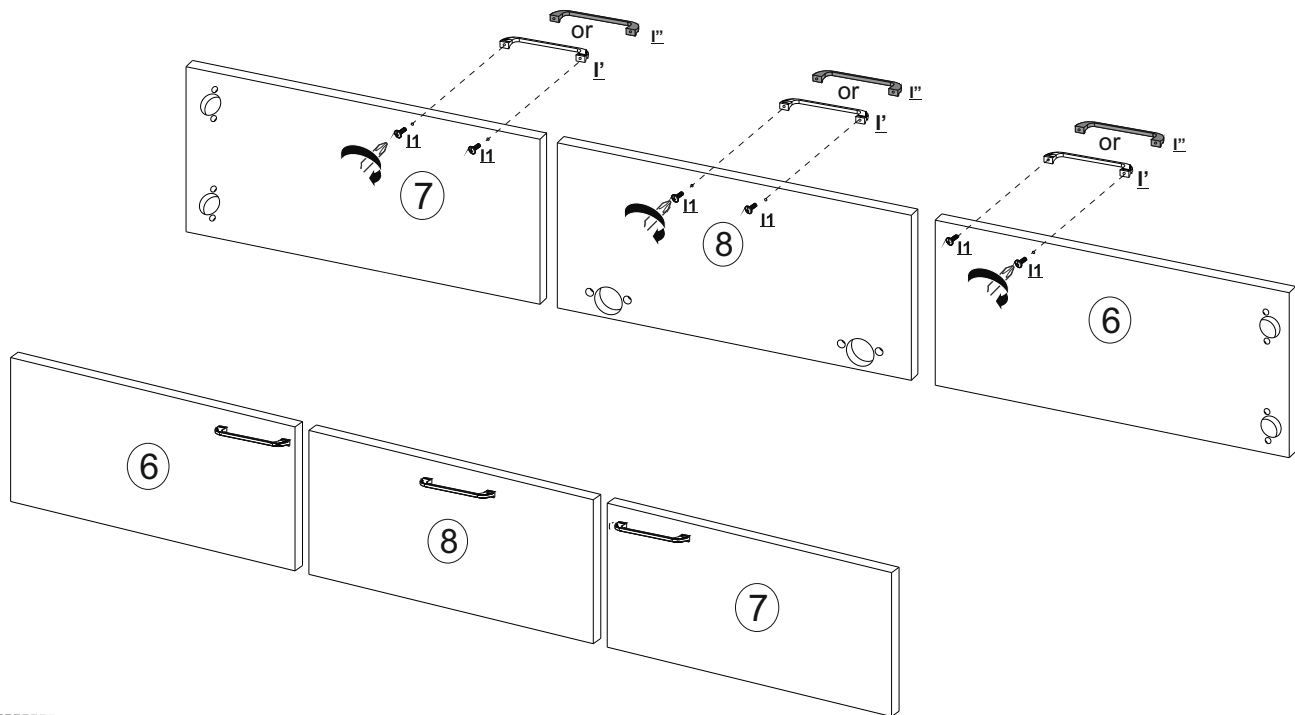
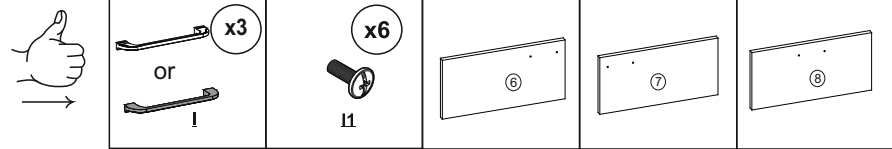


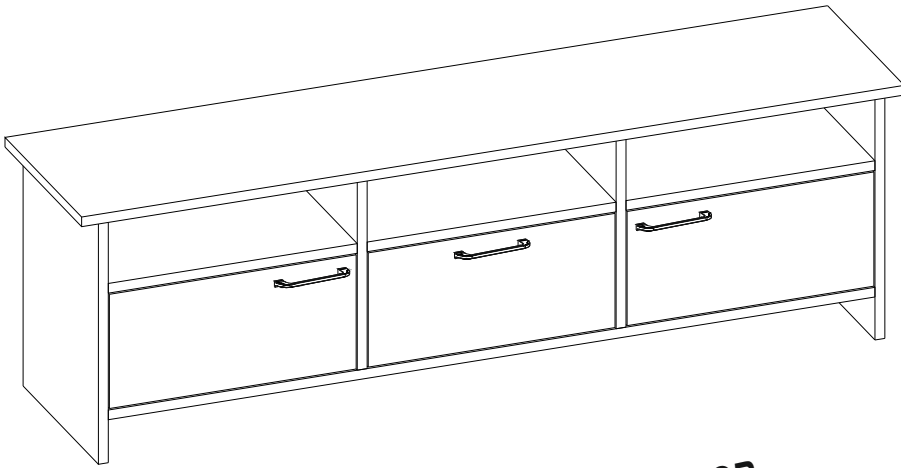
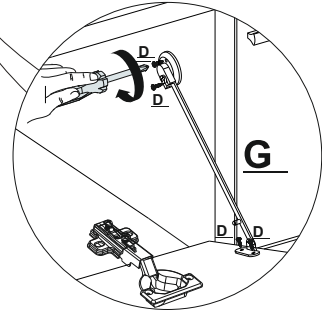
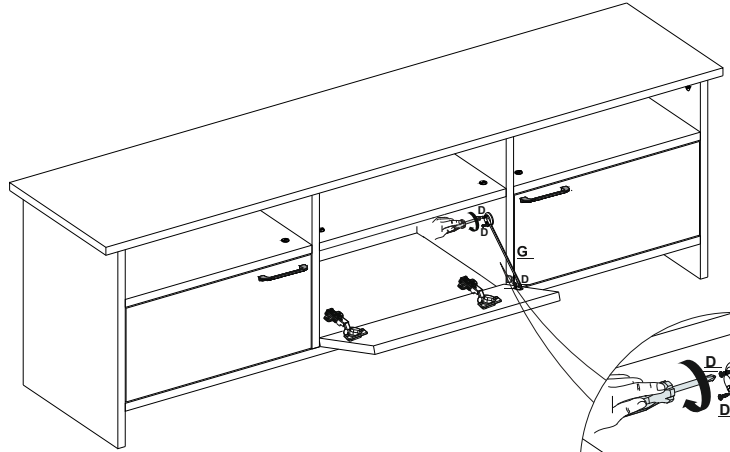
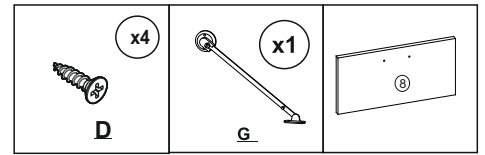
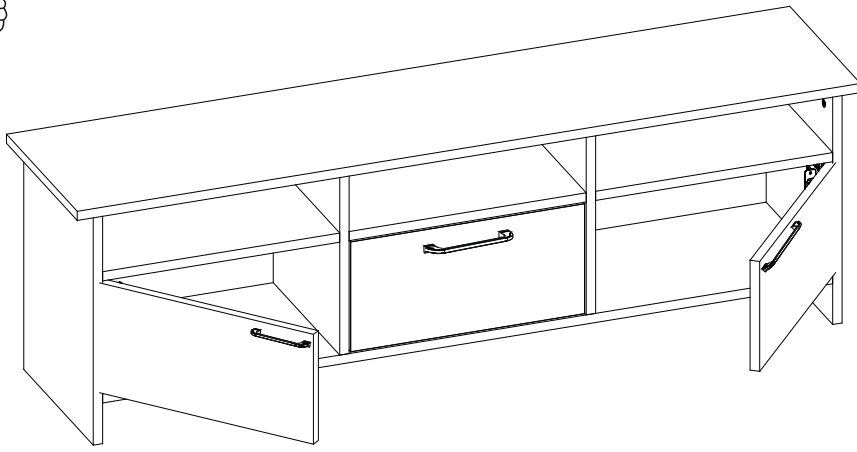




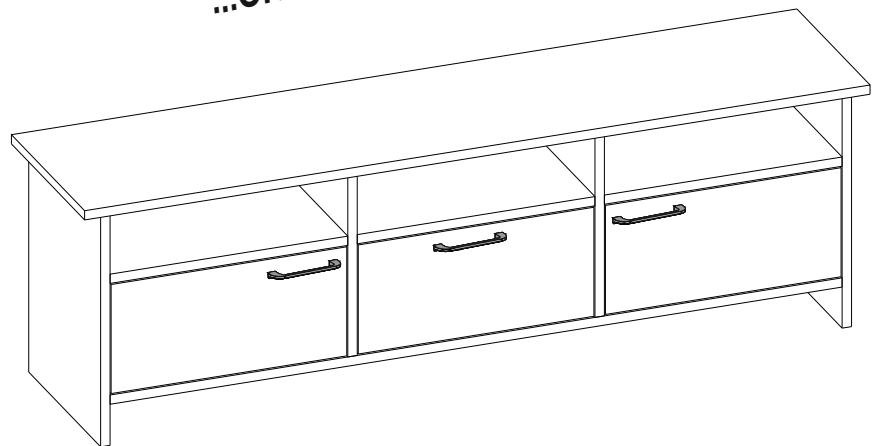




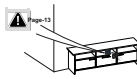
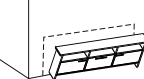




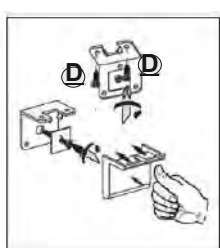
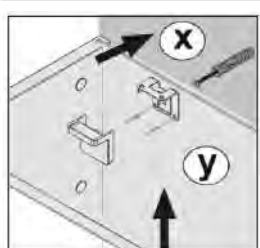
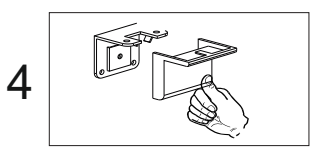
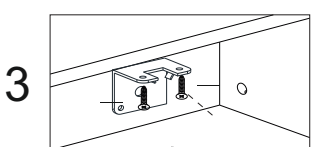
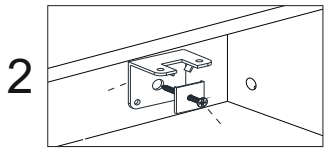
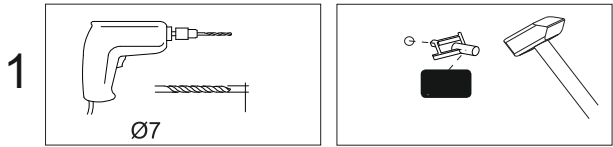
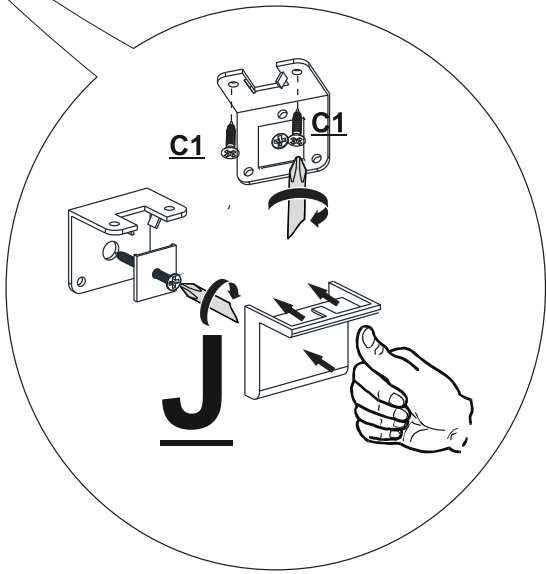
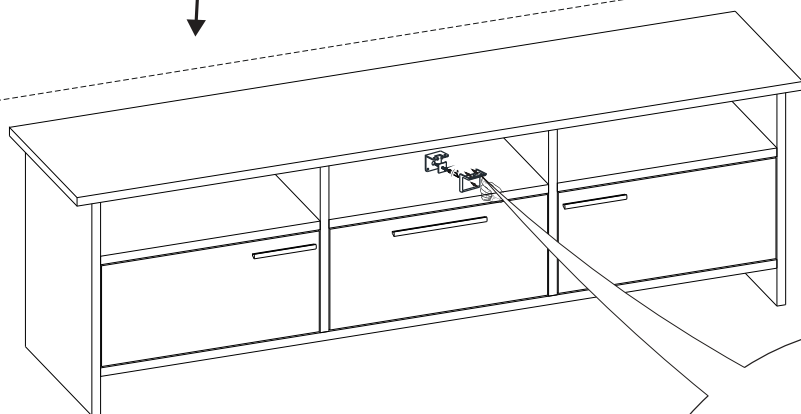


...OR...



 <p>x5 C1</p>	 <p>x1 L</p>
	

X



A series of horizontal dotted lines for writing notes.

A series of horizontal dotted lines for writing notes.

OSLON

